

A B C D E

Basic Pedestal

Self Priming Centrifugal Pump

Models 83C3-B and 83C52-B

Size 3" x 3"



PUMP SPECIFICATIONS

Size: 3" x 3" (76 mm x 76 mm) NPT - Female.

Casing: Gray Iron No. 30.

Maximum Operating Pressure 85 psi (586 kPa)*.

Semi-Open Type, Four Vane Impeller: Gray Iron No. 30.

Handles 7/8" (22 mm) Diameter Spherical Solids.

Impeller Shaft: Carbon Steel No. 1045.

Replaceable Wear Plate: Carbon Steel No. 1026.

Pedestal: Gray Iron No. 30.

Seal Plate: Gray Iron No. 30.

Shaft Sleeve: Alloy Steel No. 4130.

Flap Valve: Buna-N w/Nylon Reinforcement and Gray Iron No. 30.

Radial and Thrust Bearings: Open Single Row Ball.

Bearing Lubrication: SAE No. 30 Non-Detergent Oil.

Flanges: Gray Iron No. 30.

Gaskets: Cork and Vegetable Fiber.

O-Rings: Buna-N

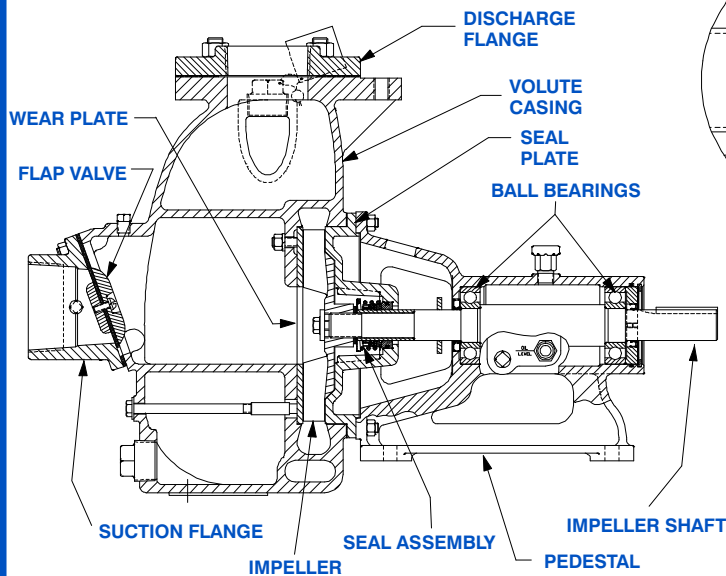
Hardware: Standard Plated Steel and Stainless Steel.

Oil Level Sight Gauge.

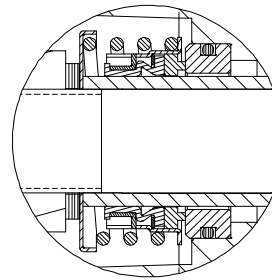
Optional Equipment: Consult Factory.



**Consult Factory for Applications Exceeding Maximum Pressure and/or Temperature Indicated.*



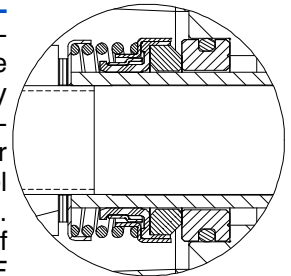
83C3-B SHOWN



83C3-B SEAL DETAIL Type 2, Mechanical, Self-Lubricated. Carbon Rotating Face. Ni-Resist Stationary Face. Fluorocarbon Elastomers (DuPont Viton® or Equivalent). Stainless Steel No. 18-8 Cage and Spring. Maximum Temperature of Liquid Pumped, 160°F (71°C).*

83C52-B SEAL DETAIL

Type 31, Mechanical, Self-Lubricated. Silicon Carbide Rotating and Stationary Faces. Fluorocarbon Elastomers (DuPont Viton® or Equivalent). Stainless Steel No. 18-8 Cage and Spring. Maximum Temperature of Liquid Pumped 160°F (71°C).*



THE GORMAN-RUPP COMPANY • MANSFIELD, OHIO

GORMAN-RUPP OF CANADA LIMITED • ST. THOMAS, ONTARIO, CANADA

www.grpumps.com

Specifications Subject to Change Without Notice

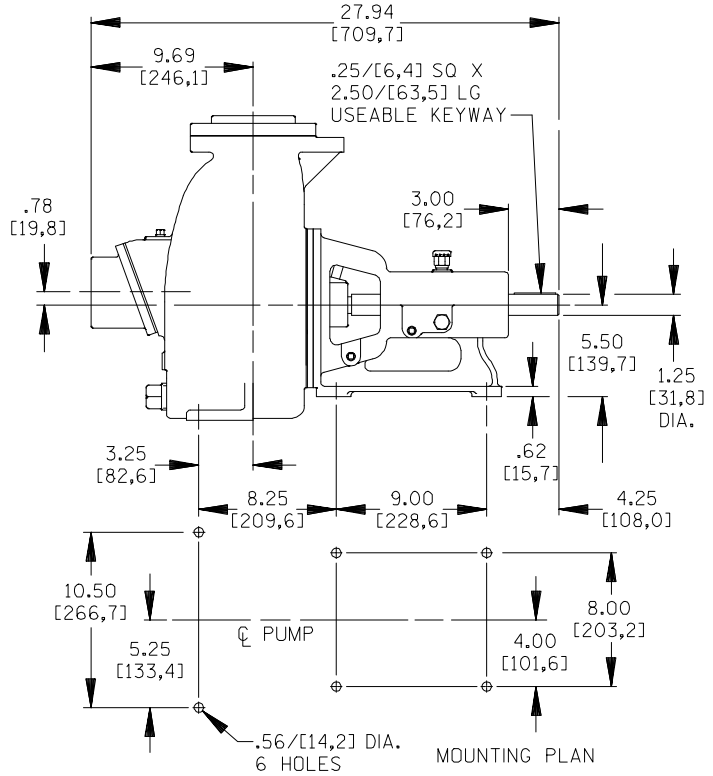
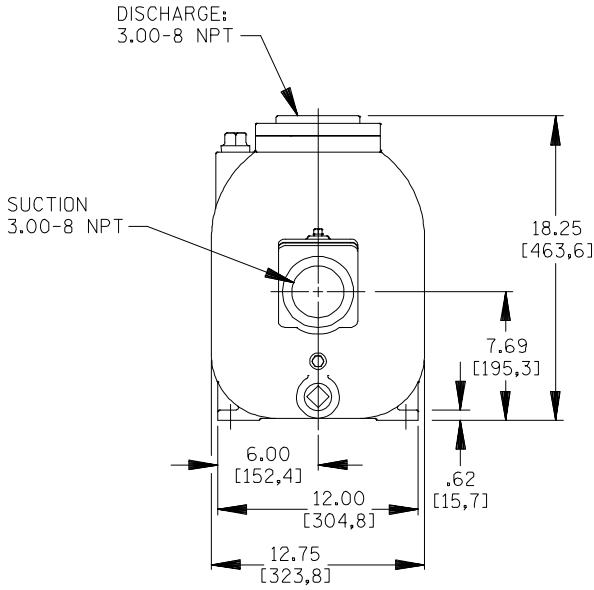
Printed in U.S.A.

Specification Data

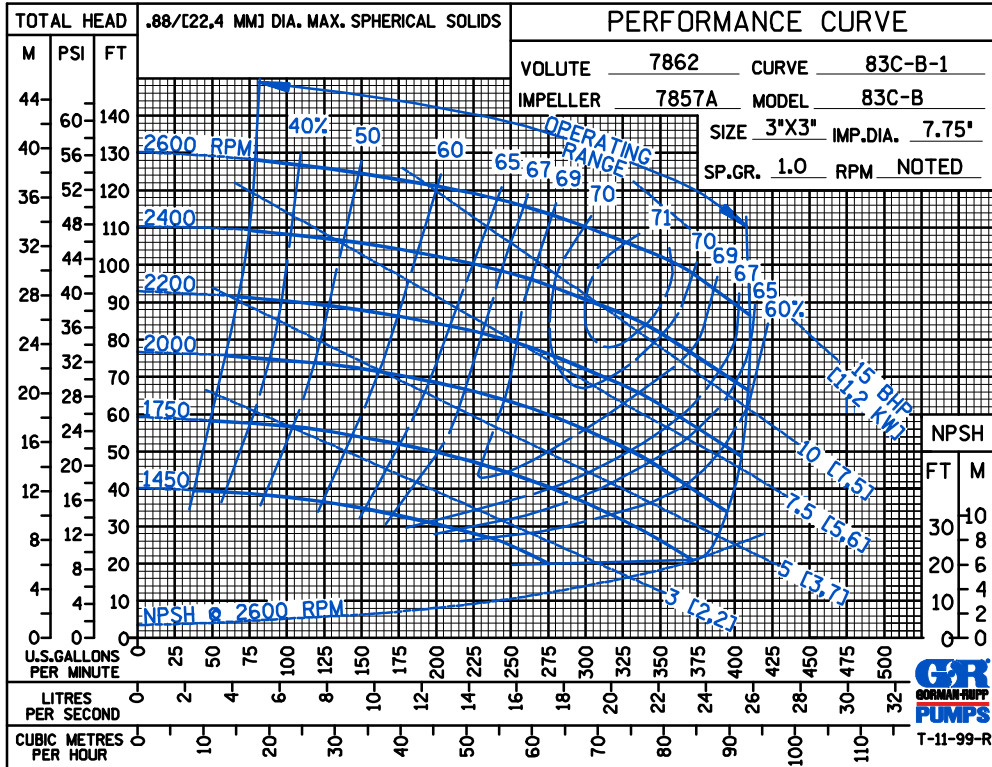
SECTION 50, PAGE 1601

APPROXIMATE
DIMENSIONS and WEIGHTS

NET WEIGHT: 190 LBS. (86,2 KG.)
SHIPPING WEIGHT: 200 LBS. (90,7 KG.)
EXPORT CRATE: 12.7 CU. FT. (0,36 CU. M.)



DIMENSIONS:
INCHES
[MILLIMETERS]



THE GORMAN-RUPP COMPANY • MANSFIELD, OHIO

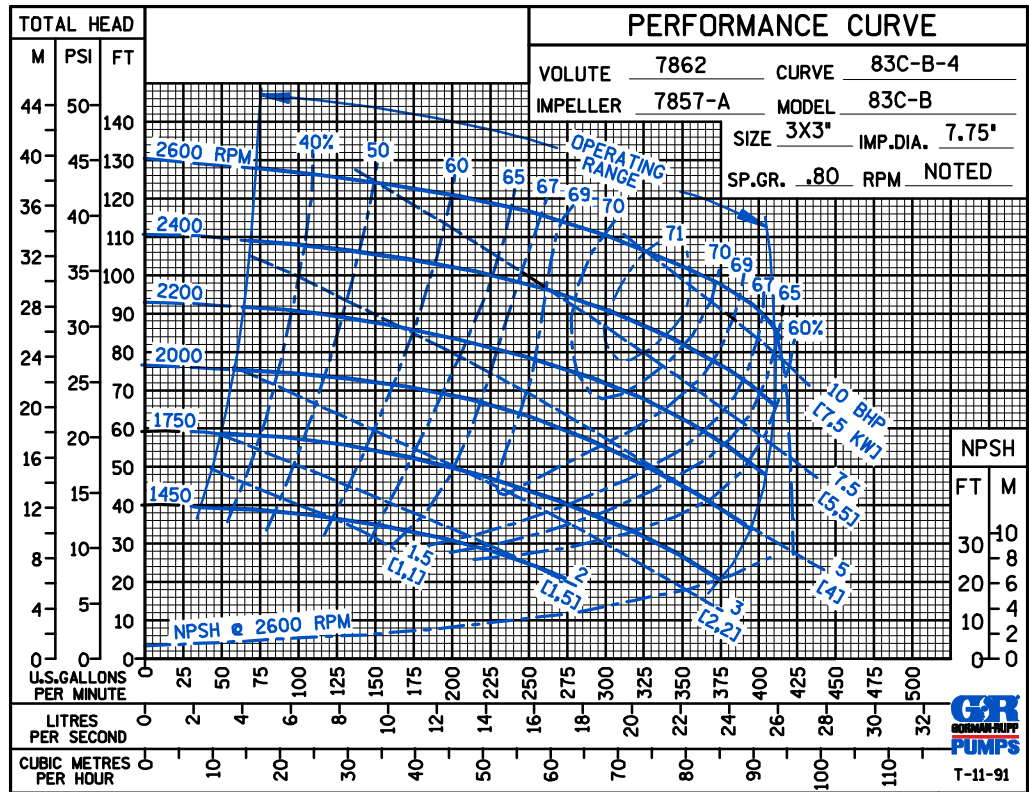
GORMAN-RUPP OF CANADA LIMITED • ST. THOMAS, ONTARIO, CANADA

Specifications Subject to Change Without Notice

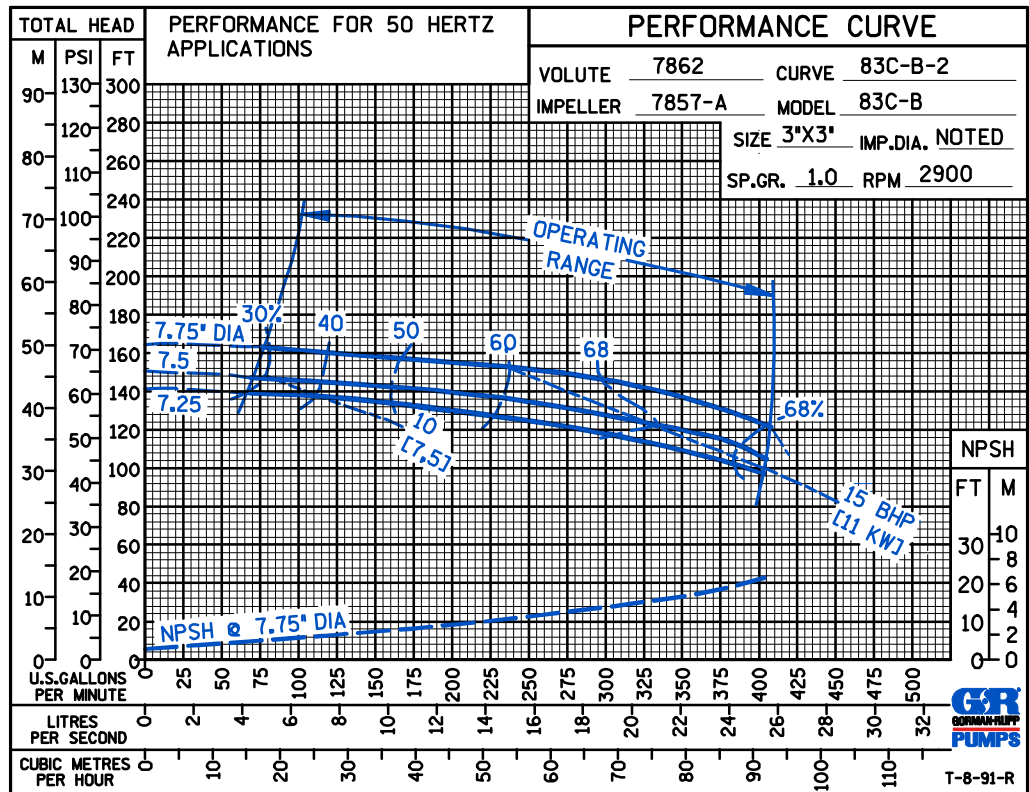
Printed in U.S.A.

A B C D E

PERFORMANCE
BASED ON
PETROLEUM



50 HERTZ



THE GORMAN-RUPP COMPANY • MANSFIELD, OHIO

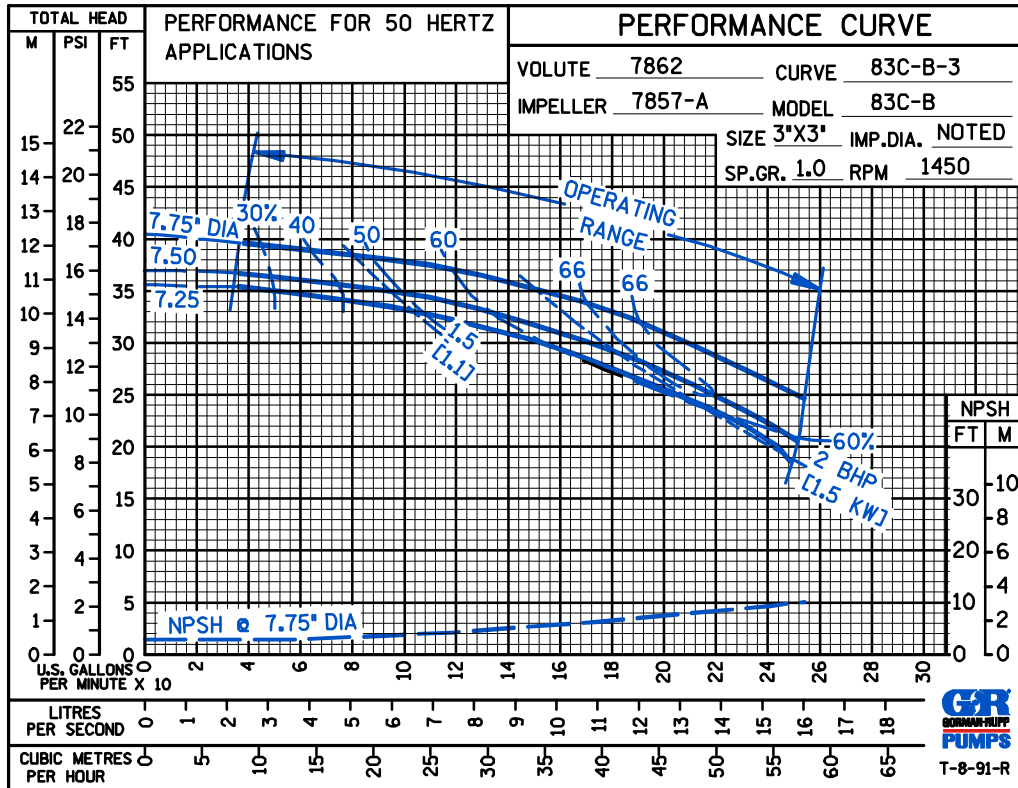
GORMAN-RUPP OF CANADA LIMITED • ST. THOMAS, ONTARIO, CANADA

Specifications Subject to Change Without Notice

Printed in U.S.A.

A B C D E

50 HERTZ
PERFORMANCE
BASED ON
WATER



THE GORMAN-RUPP COMPANY • MANSFIELD, OHIO

GORMAN-RUPP OF CANADA LIMITED • ST. THOMAS, ONTARIO, CANADA

Specifications Subject to Change Without Notice

Printed in U.S.A.