

BCE

Basic Pedestal



Self Priming Centrifugal Pump

Model 03E1-B

Size 3" x 3"

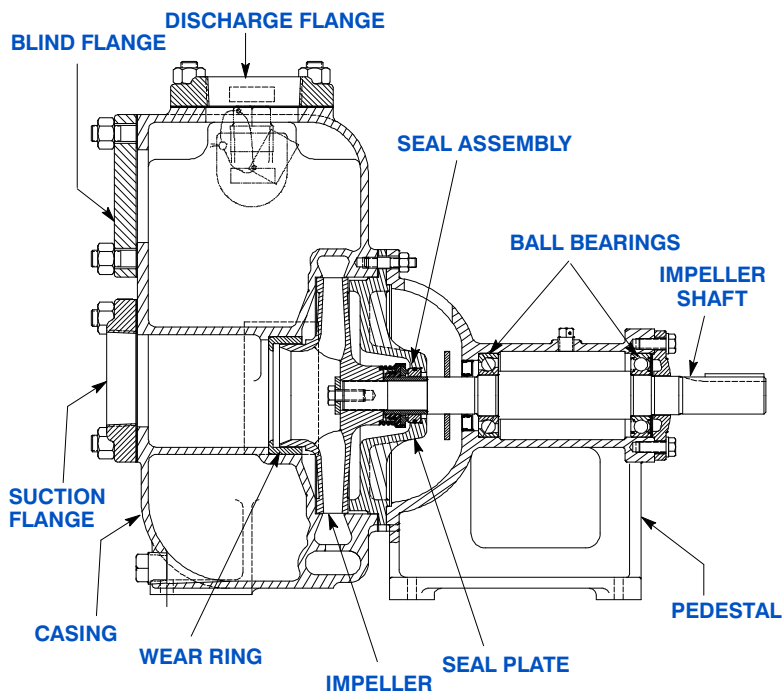
PUMP SPECIFICATIONS

Size: 3" x 3" (76 mm x 76 mm) NPT - Female**Casing:** Aluminum Alloy 319.

Maximum Operating Pressure 164 psi (1130 kPa).*

Enclosed Type, Five Vane Impeller: Almag No. 35.

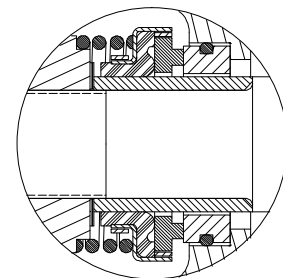
Handles 5/8" (15,8 mm) Diameter Spherical Solids.

Impeller Shaft: Alloy Steel 4150M.**Replaceable Vane Plate:** Gray Iron 30.**Pedestal:** Gray Iron 30**Seal Plate:** Aluminum 319-T6.**Shaft Sleeve:** Alloy Steel 4130.**Radial and Thrust Bearings:** Single Row Ball.**Bearing Lubrication:** Grease.**Flanges:** Aluminum 356-T6.**Gaskets:** Composition Cork.**Hardware:** Standard Plated Steel.**Consult Factory for Applications Exceeding Maximum Pressure and/or Temperature Indicated.*

SEAL SPECIFICATION

Type 2 Mechanical, Self-Lubricated. Carbon Rotating Face. Ni-Resist Stationary Face. Fluorocarbon Elastomers (DuPont Viton® or Equivalent). Stainless Steel 18-8 Cage and Spring. Maximum Temperature of Liquid Pumped, 160°F (71°C).*

SEAL DETAIL



THE GORMAN-RUPP COMPANY • MANSFIELD, OHIO

GORMAN-RUPP OF CANADA LIMITED • ST. THOMAS, ONTARIO, CANADA

www.grpumps.com

Specifications Subject to Change Without Notice

Printed in U.S.A.

Specification Data

SECTION 30, PAGE 1400

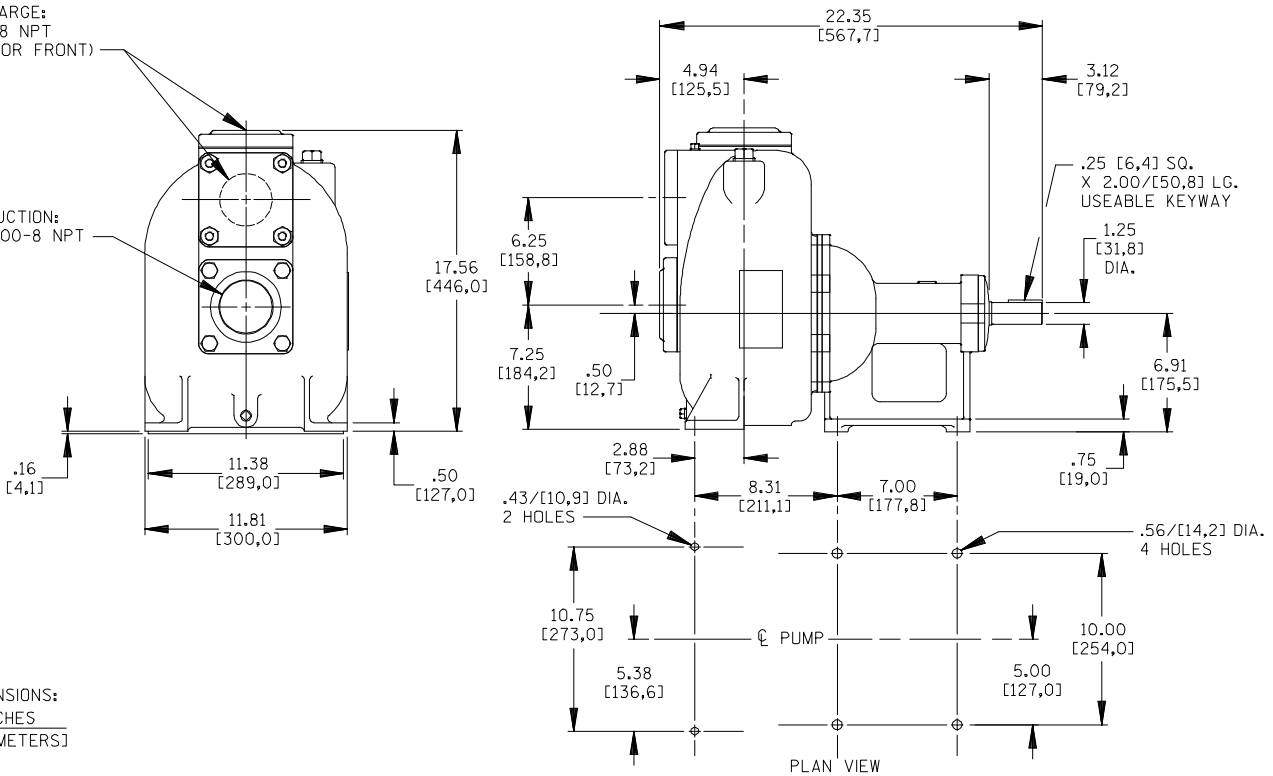
APPROXIMATE
DIMENSIONS and WEIGHTS

NET WEIGHT:
SHIPPING WEIGHT:
EXPORT CRATE:

90 LBS. (40,8 KGS.)
101 LBS. (45,8 KGS.)
8.6 CU. FT. (0,24 CU. M.)

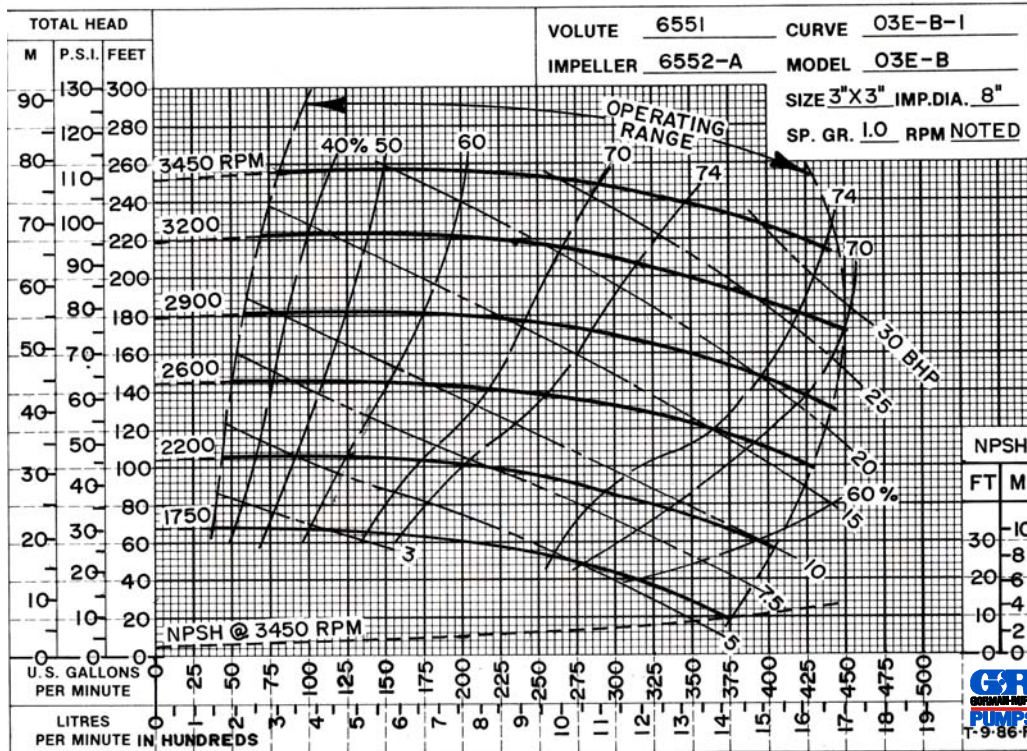
DISCHARGE:
3.00-8 NPT
(TOP OR FRONT)

SUCTION:
3.00-8 NPT



DIMENSIONS:
INCHES
[MILLIMETERS]

PERFORMANCE
BASED ON
WATER



THE GORMAN-RUPP COMPANY • MANSFIELD, OHIO

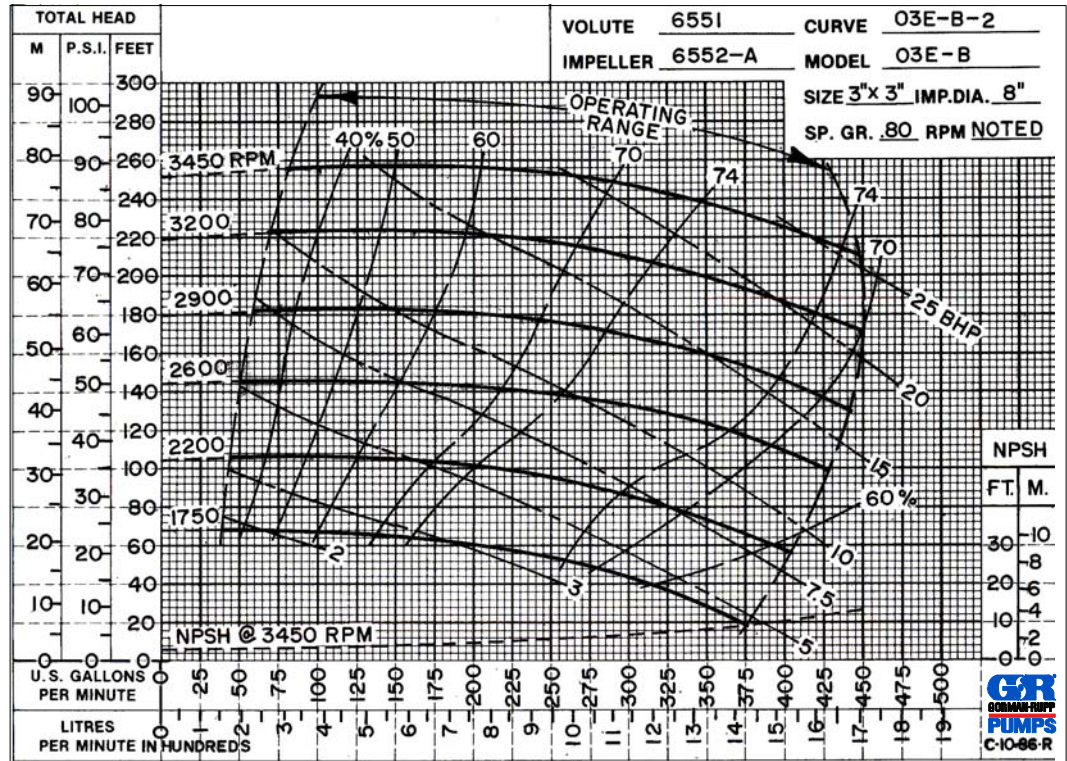
GORMAN-RUPP OF CANADA LIMITED • ST. THOMAS, ONTARIO, CANADA

Specifications Subject to Change Without Notice

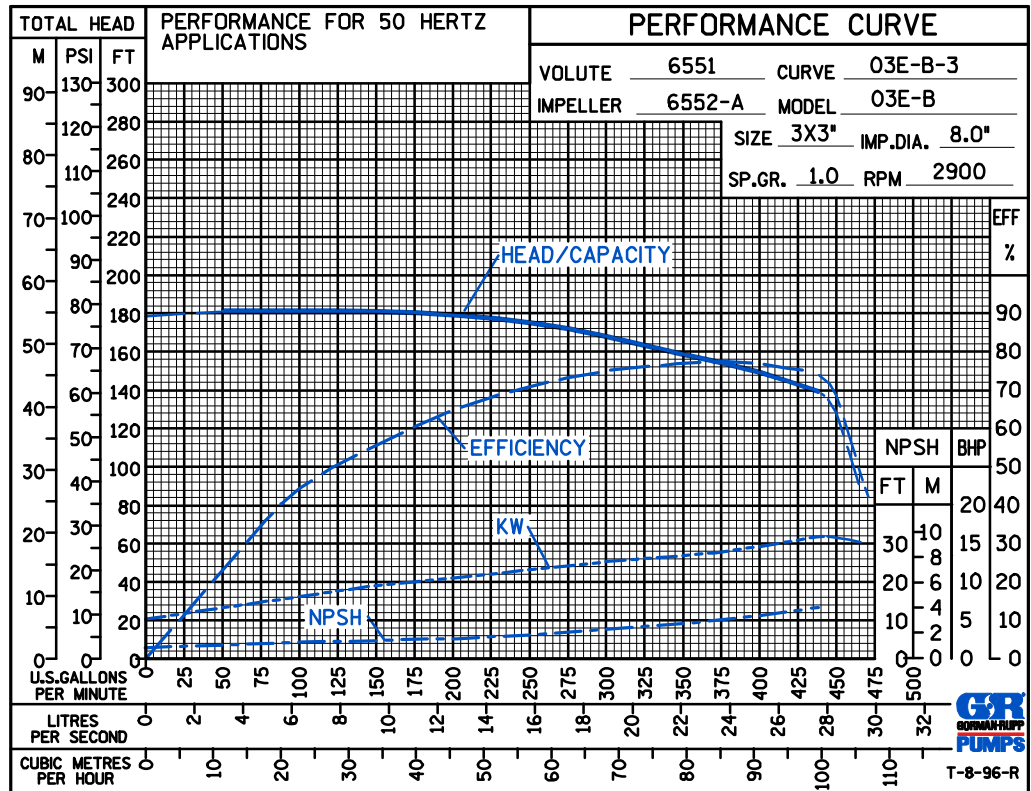
Printed in U.S.A.

BCE

PERFORMANCE
BASED ON
PETROLEUM



50 HERTZ
PERFORMANCE
BASED ON
WATER



THE GORMAN-RUPP COMPANY • MANSFIELD, OHIO

GORMAN-RUPP OF CANADA LIMITED • ST. THOMAS, ONTARIO, CANADA

Specifications Subject to Change Without Notice

Printed in U.S.A.