

Self Priming Centrifugal Pumps

Ultra V Series® Basic Pump w/ UltraMate® Second Stage



Model VS3A60-B

Size 4" x 3"



VARIOUS PATENTS APPLY

PUMP SPECIFICATIONS

Size: 4" x 3" (102 mm x 76 mm) – Flanged.**

Casings: Gray Iron 30.

Maximum Operating Pressure 249 psi (1717 kPa).*

Semi-Open Type, Two Vane Impellers: Ductile Iron 65-45-12.

Handles 2-1/2" (63,5 mm) Diameter Spherical Solids.

Impeller Shafts: Alloy Steel 4150.

Self-Cleaning Replaceable Wear Plates: Carbon Steel 1015.

Shimless Adjustable Cover Plates: Gray Iron 30.

Suction Flange: Gray Iron 30.

Bearing Housings: Gray Iron 30.

Seal Plates: Gray Iron 30.

Shaft Sleeves: Alloy Steel 4130.

Radial Bearings: Open Single Row Ball.

Thrust Bearings: Open Double Row Ball.

Bearing and Seal Cavity Lubrication: SAE 30 Non-Detergent Oil.

Gaskets: Buna-N, Compressed Synthetic Fibers, Vegetable Fiber, PTFE, Cork, and Rubber.

O-Rings: Buna-N.

Transition Chamber: Ductile Iron 65-45-12.

Hardware: Standard Plated Steel.

Brass Pressure Relief Valves.

Bearing and Seal Cavity Oil Level Sight Gauges.

Optional Equipment: Automatic Air Release Valve. High Pump

Temperature Shutdown Kit. Stainless Steel/G-R Hard Iron Impellers, Wear Plates and Seal Plates. 120/240 Volt Casing Heater.

** Optional Gray Iron 30 Flange Kits Available as Follows (See Price Sheets):

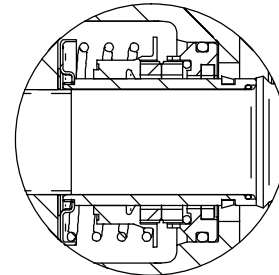
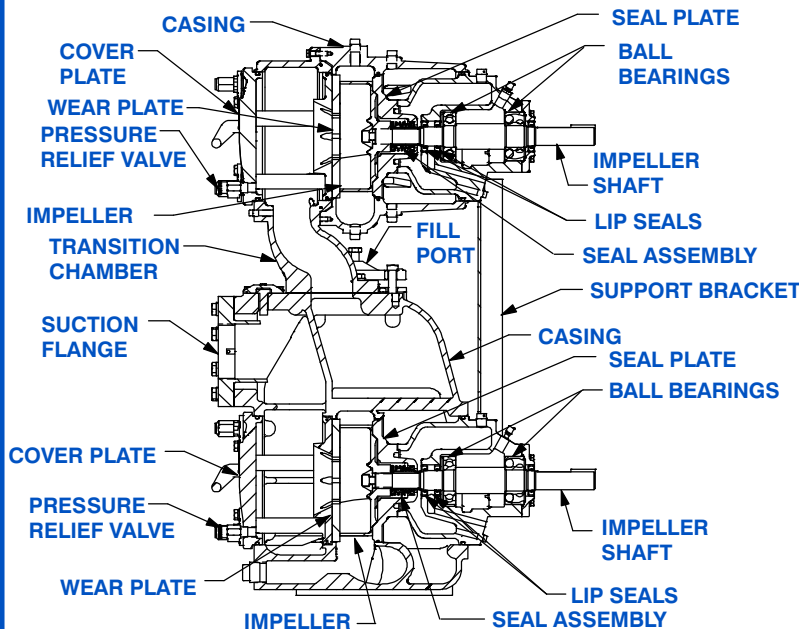
3" Female NPT Discharge Flange Kit.

4" and 3" ASA Suction/Discharge Spool Flange Kits.

100 mm and 80 mm DIN 2527 (PN 16) Suction/Discharge Spool Flange Kits.

UltraMate®
Second Stage

Ultra V
Basic Pump



SEAL DETAIL

Cartridge Type, Mechanical, Oil-Lubricated, Double Floating, Self-Aligning. Silicon Carbide Rotating and Stationary Faces. Stainless Steel 316 Stationary Seat. Fluorocarbon Elastomers (DuPont Viton® or Equivalent). Stainless Steel 18-8 Cage and Spring. Maximum Temperature of Liquid Pumped, 160°F (71°C).*

* Consult Factory for Applications Exceeding Maximum Pressure and/or Temperature Indicated.



GORMAN-RUPP PUMPS

www.grpumps.com

Specifications Subject to Change Without Notice

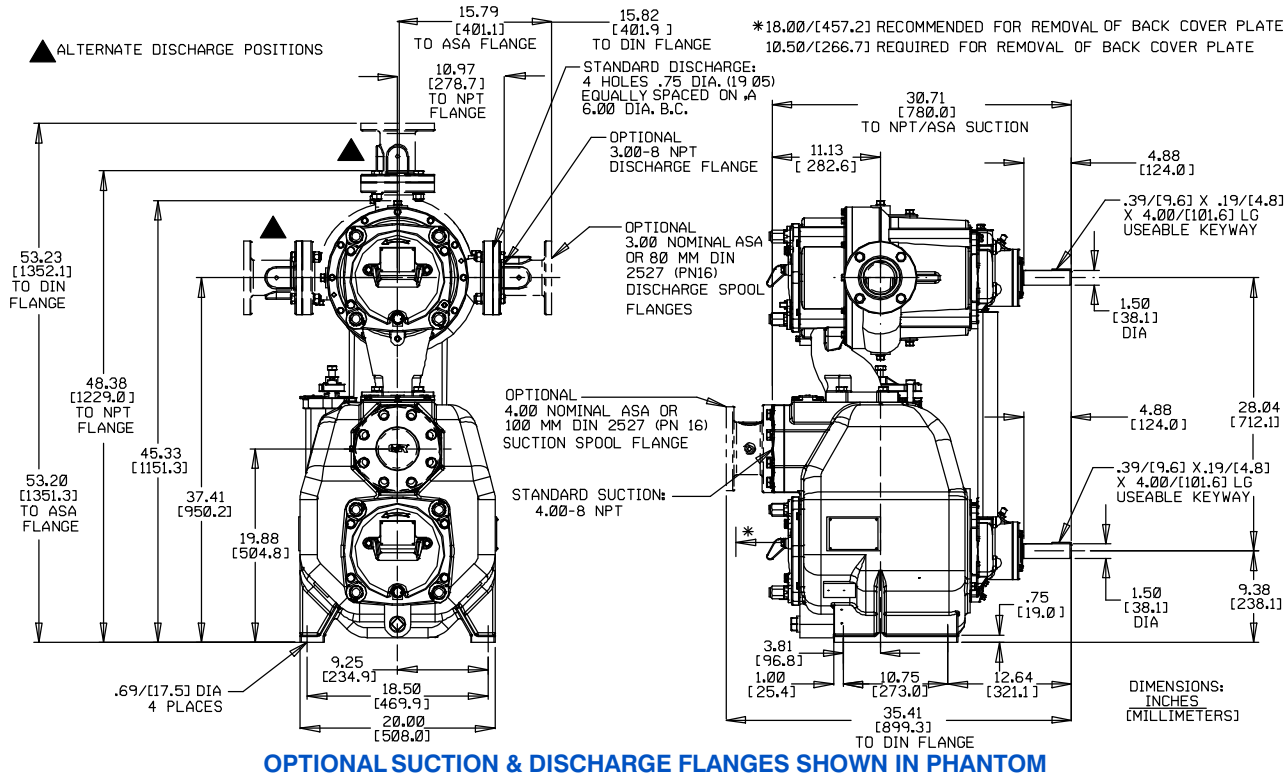
Printed in U.S.A.

Specification Data

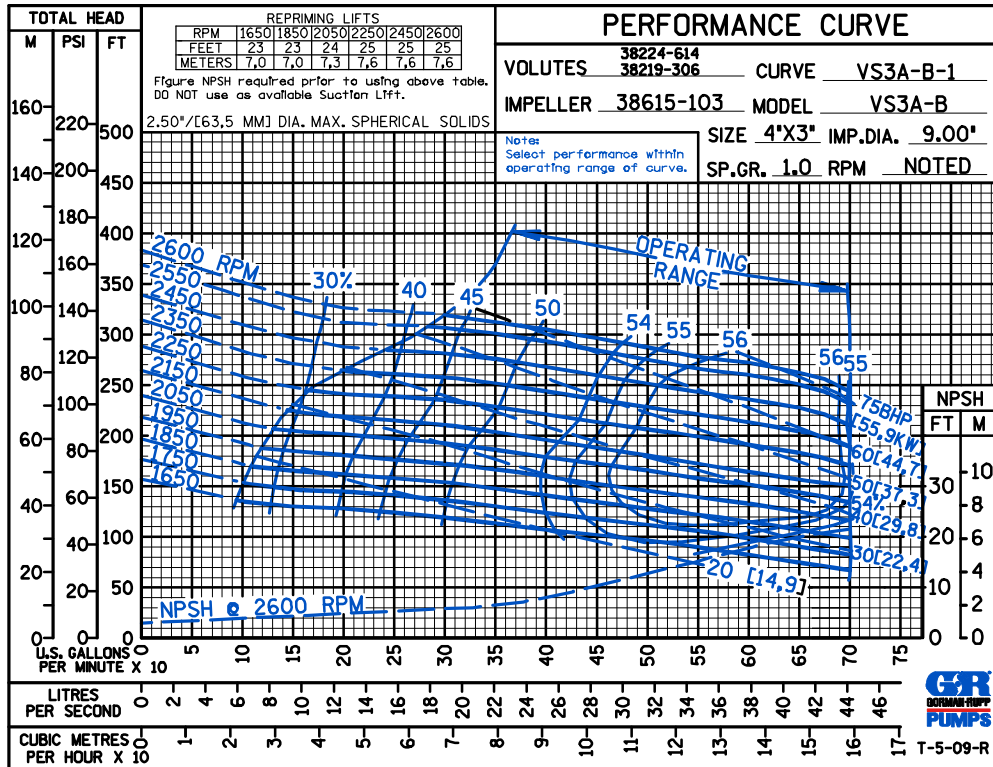
SECTION 55, PAGE 3000

APPROXIMATE DIMENSIONS and WEIGHTS

NET WEIGHT: 1040 LBS. (472 KG.)*
SHIPPING WEIGHT: 1175 LBS. (533 KG.)*
EXPORT CRATE: 42.9 CU. FT. (1,2 CU. M.)
***WEIGHTS DO NOT INCLUDE OPTIONAL FLANGE KITS.**



TOTAL COMBINED H.P. SHOWN



GORMAN-RUPP PUMPS

www.grpumps.com

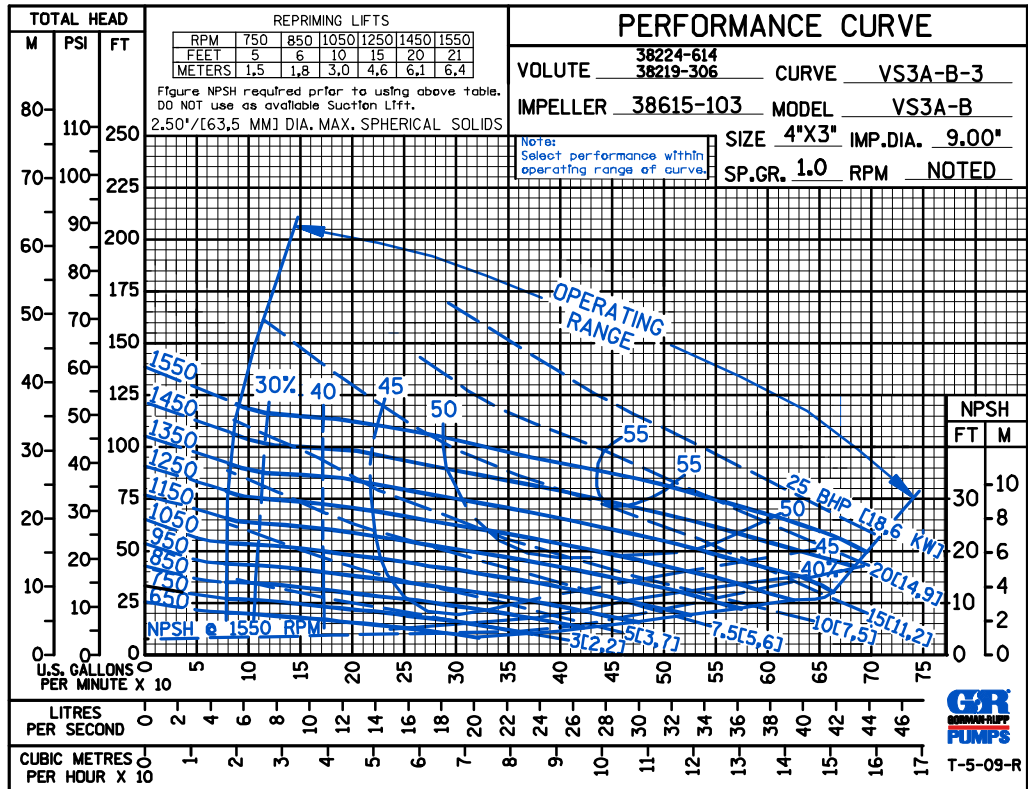
Specifications Subject to Change Without Notice

Printed in U.S.A.

TOTAL
COMBINED
H.P. SHOWN

PERFORMANCE
BASED ON
WATER

TRIMMED
IMPELLER



GORMAN-RUPP PUMPS

www.grpumps.com

Specifications Subject to Change Without Notice

Printed in U.S.A.