

Self Priming Centrifugal Pump



VARIOUS PATENTS APPLY

Model V6A60-B

Size 8" x 6"



PUMP SPECIFICATIONS

Size: 8" x 6" (203 mm x 154 mm). **

Casing: Gray Iron 30.

Maximum Operating Pressure 129 psi (889 kPa). *

Semi-Open Type, Two Vane Impeller: Ductile Iron 65-45-12.

Handles 3" (76,2 mm) Diameter Spherical Solids.

Impeller Shaft: Alloy Steel 4150.

Self-Cleaning Replaceable Wear Plate: Carbon Steel ASTM A36.

Shimless Adjustable Cover Plate: Gray Iron 30.

Externally Removable Flap Valve: Neoprene™/Nylon and Steel Reinforcing.

Suction Flange/Flap Valve Seat: Gray Iron 30.

Bearing Housing: Gray Iron 30.

Seal Plate: Gray Iron 30.

Shaft Sleeve: Alloy Steel 4130.

Radial and Thrust Bearings: Open Double Row Ball.

Bearing and Seal Cavity Lubrication: SAE 30 Non-Detergent Oil.

Gaskets: Buna-N, Compressed Synthetic Fibers, Vegetable Fiber, PTFE, Cork and Rubber.

O-Rings: Buna-N.

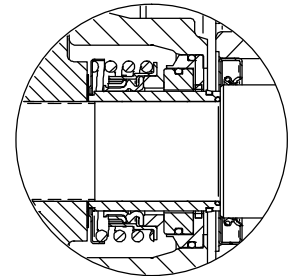
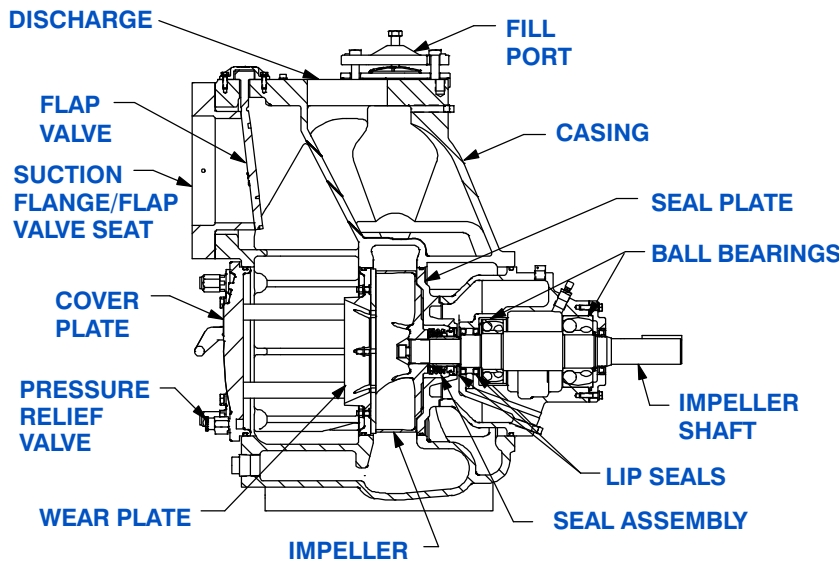
Hardware: Standard Plated Steel.

Brass Pressure Relief Valve.

Bearing and Seal Cavity Oil Level Sight Gauges.

Optional Equipment: Automatic Air Release Valve. High Pump Temperature Shutdown Kit. Stainless Steel/G-R Hard Iron Impeller, Seal Plate and Wear Plate. Cartridge Seal w/Stainless Steel Sleeve. 120/240 Volt Casing Heater.

** Optional Gray Iron 30 Flanges Available as Follows (See Price Sheets):
8" and 6" Female NPT Suction/Discharge Flange Kits.
8" and 6" ASA Suction/Discharge Spool Flange Kits.
200 mm and 150 mm DIN 2527 (PN 16) Suction/Discharge Spool Flange Kits.



SEAL DETAIL

Cartridge Type, Mechanical, Oil-Lubricated, Double Floating, Self-Aligning. Silicon Carbide Rotating and Stationary Faces. Stainless Steel 316 Stationary Seat. Fluorocarbon Elastomers (DuPont Viton® or Equivalent). Stainless Steel 18-8 Cage and Spring. Maximum Temperature of Liquid Pumped, 160°F (71°C).*

*** Consult Factory for Applications Exceeding Maximum Pressure and/or Temperature Indicated.**



GORMAN-RUPP PUMPS

www.grpumps.com

Specifications Subject to Change Without Notice

Printed in U.S.A.

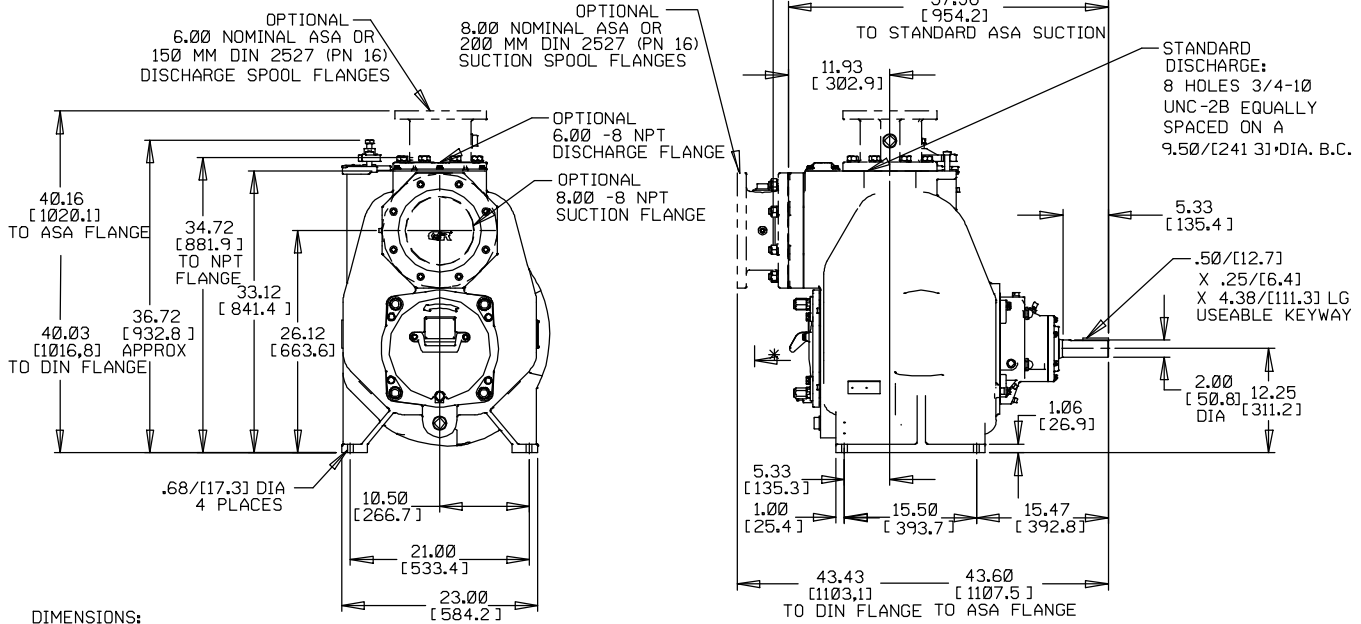
Specification Data

NET WEIGHT: 1130 LBS. (512 KG.)*
SHIPPING WEIGHT: 1240 LBS. (562 KG.)*
EXPORT CRATE: 25 CU. FT. (0,71 CU. M.)
***WEIGHTS DO NOT INCLUDE OPTIONAL FLANGE KITS.**

SECTION 55, PAGE 2700

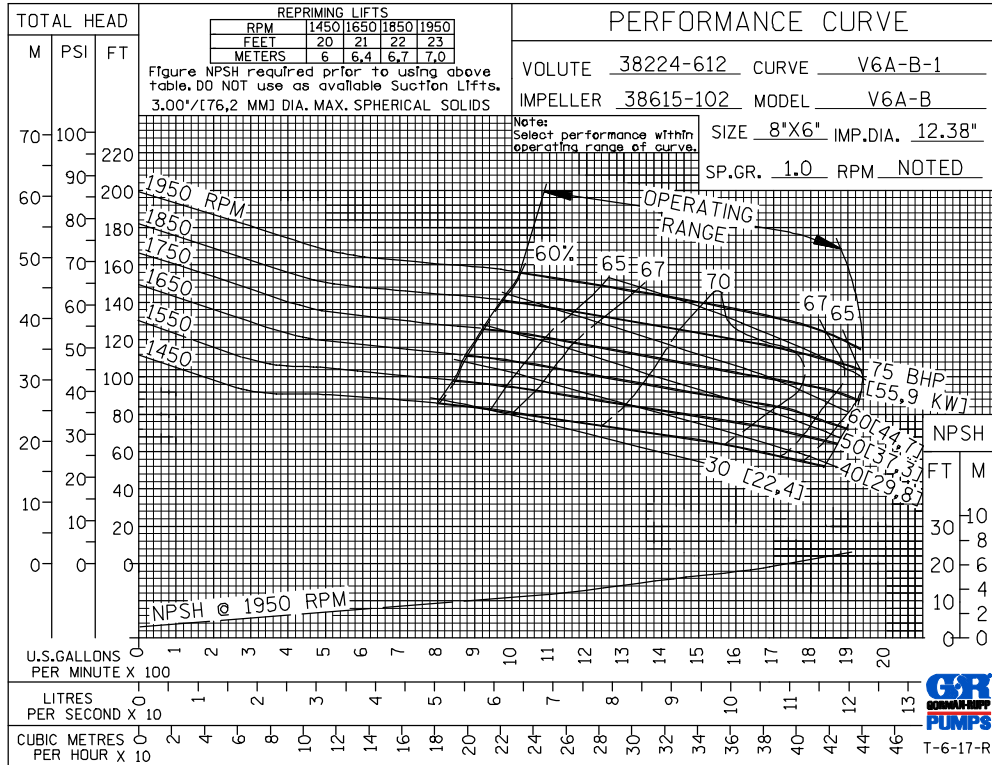
APPROXIMATE DIMENSIONS and WEIGHTS

*24.00/[609,6] RECOMMENDED FOR REMOVAL OF BACK COVER PLATE
 *14.00/[355,6] REQUIRED FOR REMOVAL OF BACK COVER PLATE



OPTIONAL SUCTION & DISCHARGE FLANGES SHOWN IN PHANTOM

60 HERTZ PERFORMANCE BASED ON WATER



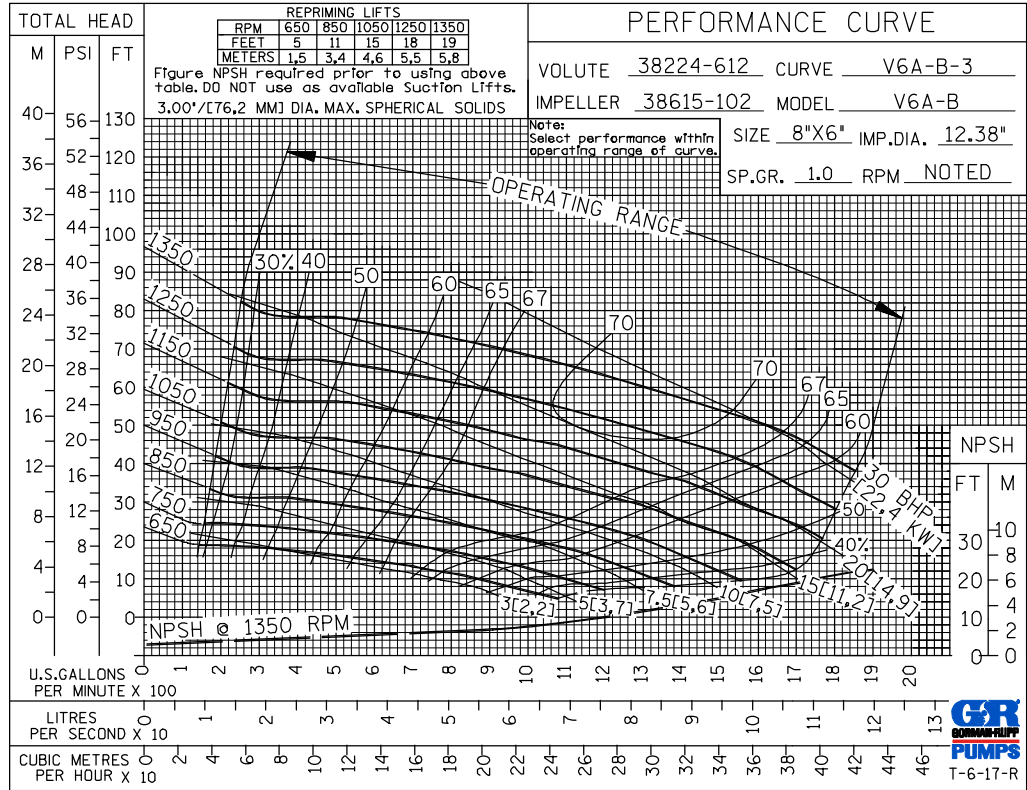
GORMAN-RUPP PUMPS

www.grpumps.com

Specifications Subject to Change Without Notice

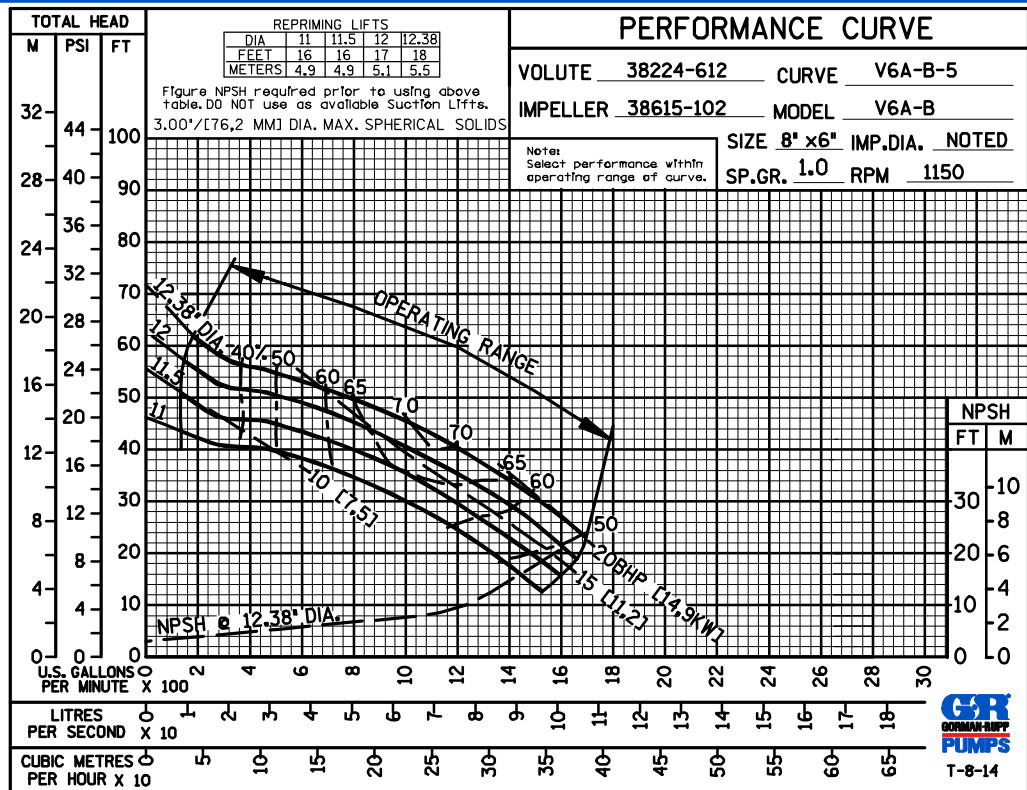
Printed in U.S.A.

60 HERTZ
PERFORMANCE
BASED ON
WATER



60 HERTZ
PERFORMANCE
BASED ON
WATER

TRIMMED
IMPELLER



GORMAN-RUPP PUMPS

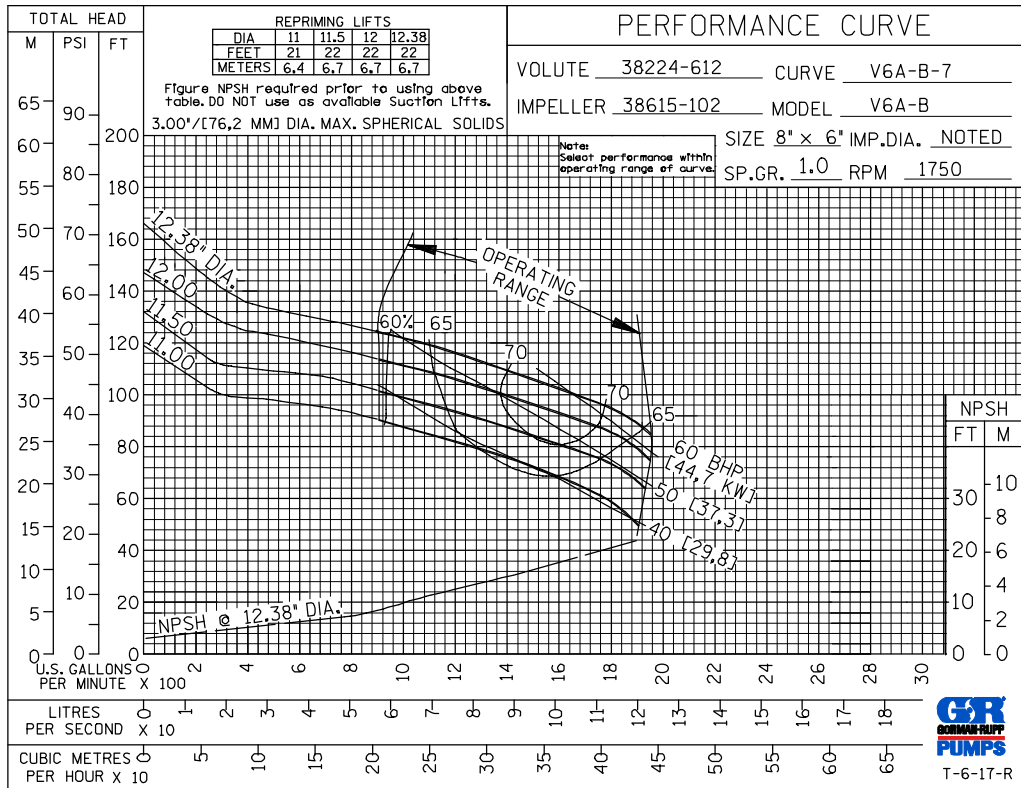
www.grpumps.com

Specifications Subject to Change Without Notice

Printed in U.S.A.

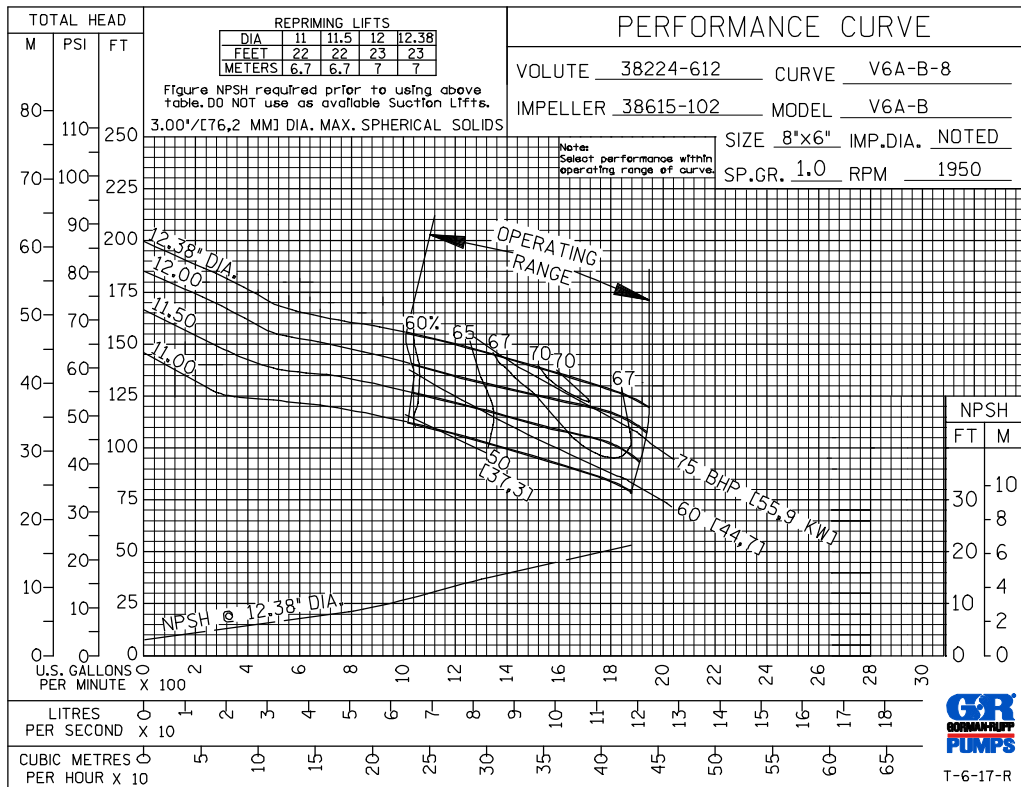
**60 HERTZ
PERFORMANCE
BASED ON
WATER**

**TRIMMED
IMPELLER**



**60 HERTZ
PERFORMANCE
BASED ON
WATER**

**TRIMMED
IMPELLER**



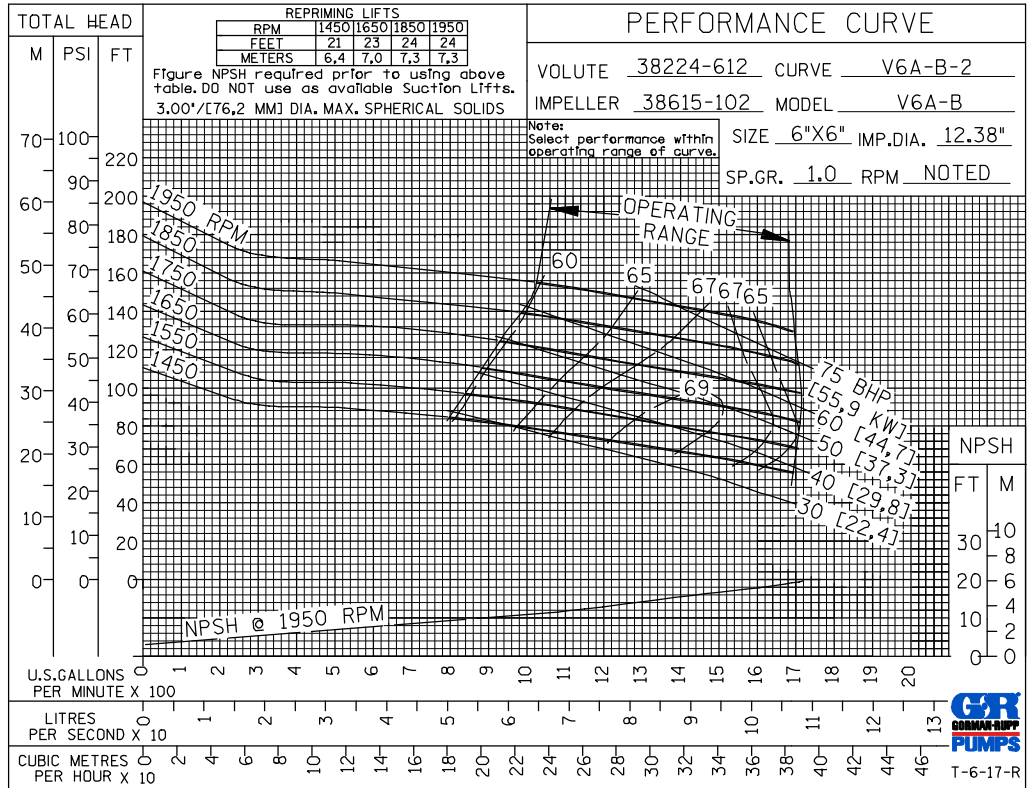
GORMAN-RUPP PUMPS

www.grpumps.com

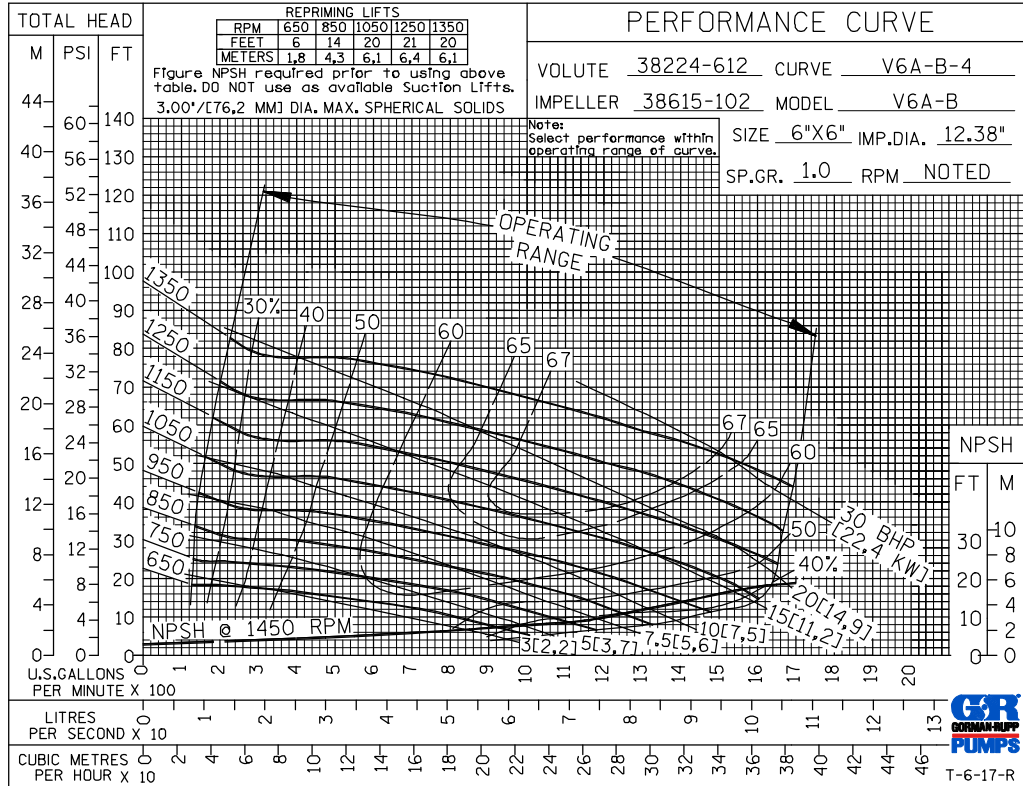
Specifications Subject to Change Without Notice

Printed in U.S.A.

PERFORMANCE FOR REDUCED SUCTION BASED ON WATER



PERFORMANCE FOR REDUCED SUCTION BASED ON WATER



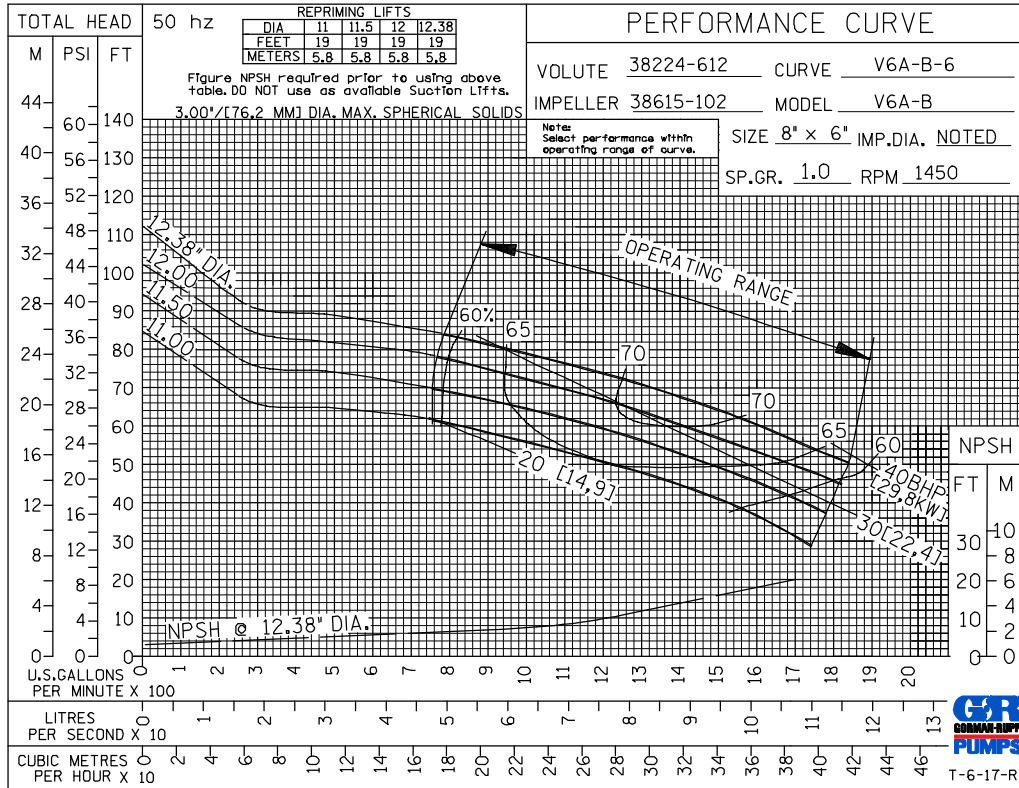
GORMAN-RUPP PUMPS

www.grpumps.com

Specifications Subject to Change Without Notice

Printed in U.S.A.

**50 HERTZ
PERFORMANCE
BASED ON
WATER**



GORMAN-RUPP PUMPS

www.grpumps.com

Specifications Subject to Change Without Notice

Printed in U.S.A.