

# Self Priming Centrifugal Pump

**ULTRAV**  
SERIES

VARIOUS PATENTS APPLY

**Model V3A60-B**
**Size 4" x 3"**

**PUMP SPECIFICATIONS**
**Size:** 4" x 3" (102 mm x 76 mm).\*\*

**Casing:** Gray Iron 30.

Maximum Operating Pressure 120 psi (827 kPa).\*

**Semi-Open Type, Two Vane Impeller:** Ductile Iron 65-45-12.

Handles 2-1/2" (63,5 mm) Diameter Spherical Solids.

**Impeller Shaft:** Alloy Steel 4150.

**Self-Cleaning Replaceable Wear Plate:** Carbon Steel 1015.

**Shimless Adjustable Cover Plate:** Gray Iron 30.

**Externally Removable Flap Valve:** Neoprene w/Nylon and Steel Reinforcing.

**Suction Flange/Flap Valve Seat:** Gray Iron 30.

**Bearing Housing:** Gray Iron 30.

**Seal Plate:** Gray Iron 30.

**Shaft Sleeve:** Alloy Steel 4130.

**Radial Bearing:** Open Single Row Ball.

**Thrust Bearing:** Open Double Row Ball.

**Bearing and Seal Cavity Lubrication:** SAE 30 Non-Detergent Oil.

**Gaskets:** Buna-N, Compressed Synthetic Fibers, Vegetable Fiber, PTFE, Cork, and Rubber.

**O-Rings:** Buna-N.

**Hardware:** Standard Plated Steel.

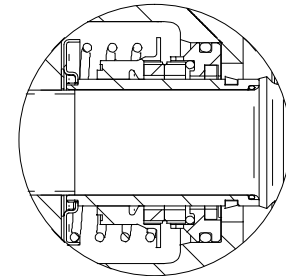
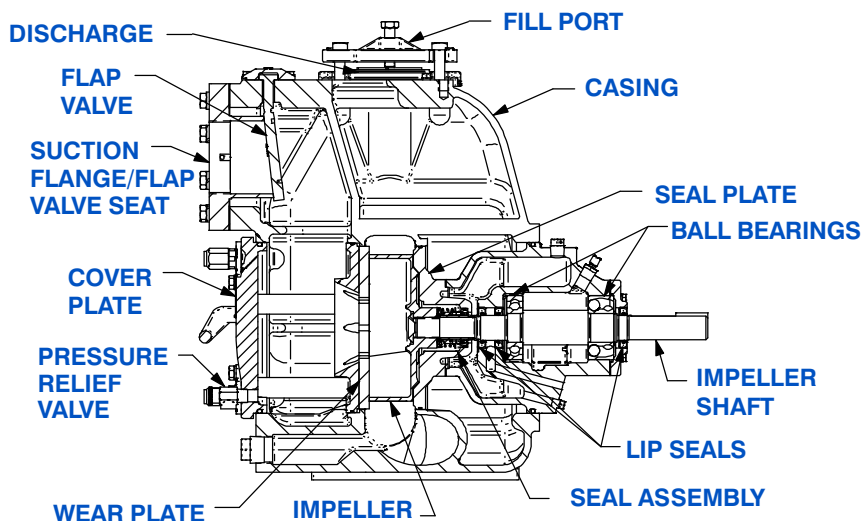
**Brass Pressure Relief Valve.**
**Bearing and Seal Cavity Oil Level Sight Gauges.**
**Optional Equipment:** Automatic Air Release Valve. High Pump Temperature Shutdown Kit. Stainless Steel/G-R Hard Iron Impeller, Seal Plate and Wear Plate. Cartridge Seal w/Stainless Steel Sleeve. 120/240 Volt Casing Heater.

\*\* Optional Gray Iron 30 Flanges Available as Follows (See Price Sheets):

3" Female NPT Discharge Flange Kit.

4" and 3" ASA Suction/Discharge Spool Flange Kits.

100 mm and 80 mm DIN 2527 (PN 16) Suction/Discharge Spool Flange Kits.


**SEAL DETAIL**

Cartridge Type, Mechanical, Oil-Lubricated, Double Floating, Self-Aligning. Silicon Carbide Rotating and Stationary Faces. Stainless Steel 316 Stationary Seat. Fluorocarbon Elastomers (DuPont Viton® or Equivalent). Stainless Steel 18-8 Cage and Spring. Maximum Temperature of Liquid Pumped, 160°F (71°C).\*

\* Consult Factory for Applications Exceeding Maximum Pressure and/or Temperature Indicated.

**G-R**  
GORMAN-RUPP  
PUMPS

**GORMAN-RUPP PUMPS**
[www.grpumps.com](http://www.grpumps.com)

Specifications Subject to Change Without Notice

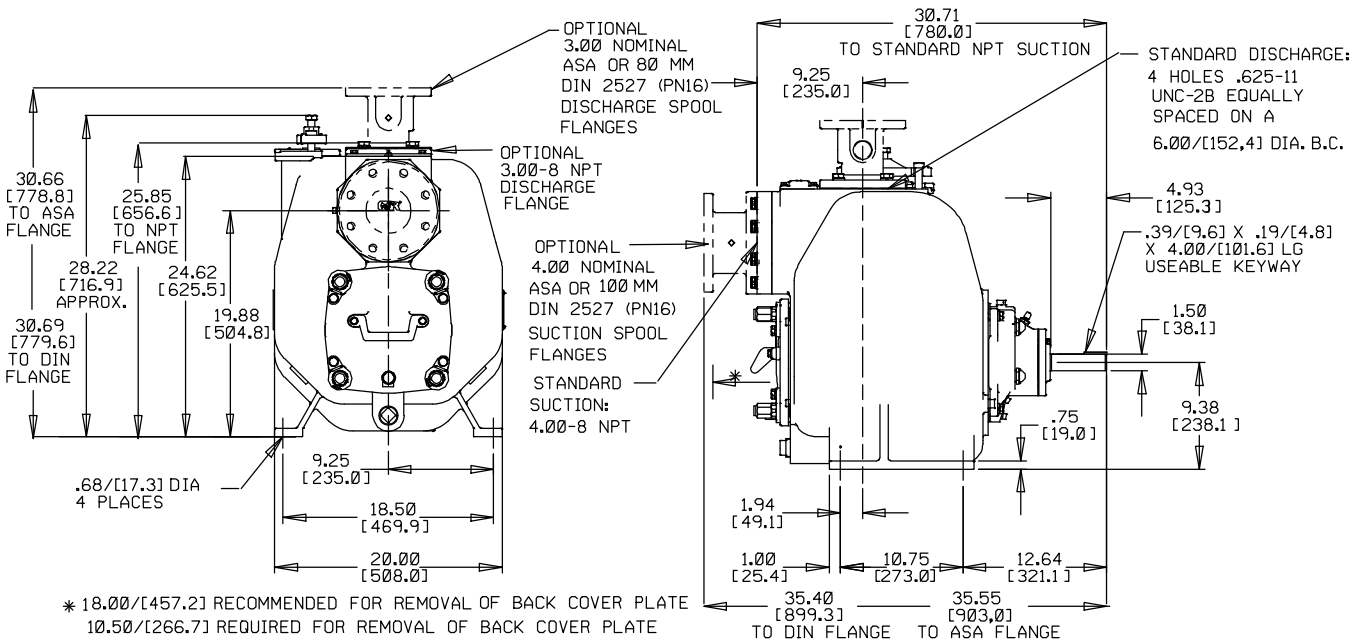
Printed in U.S.A.

# Specification Data

SECTION 55, PAGE 2500

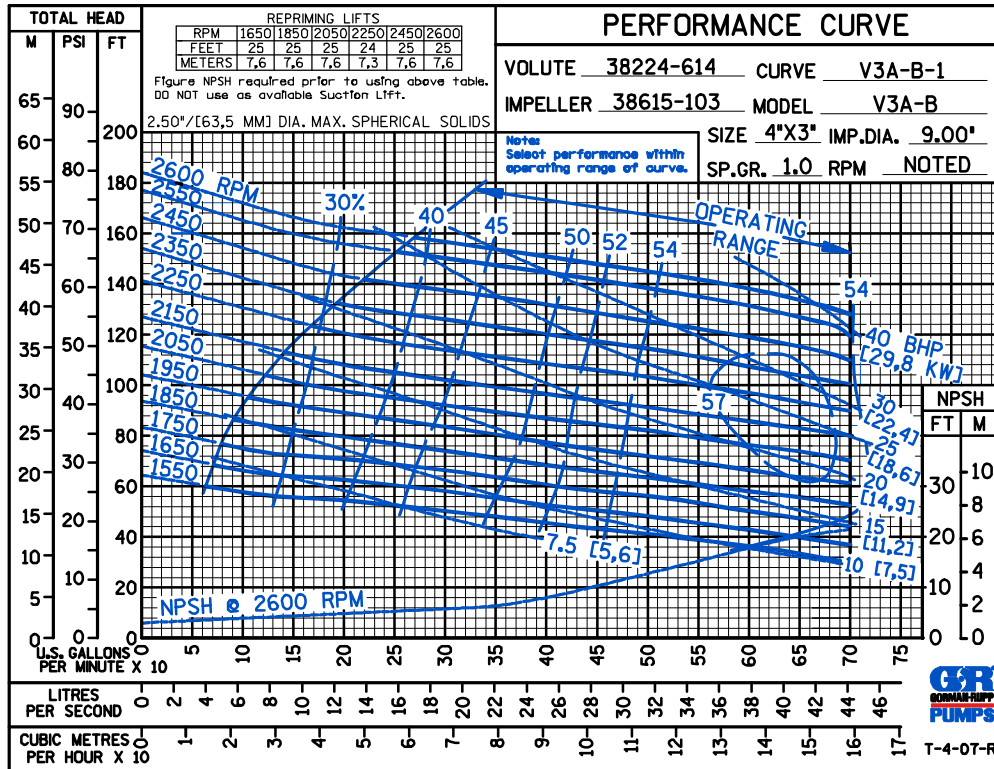
## APPROXIMATE DIMENSIONS and WEIGHTS

**NET WEIGHT:** 650 LBS. (295 KG.)\*  
**SHIPPING WEIGHT:** 700 LBS. (317 KG.)\*  
**EXPORT CRATE:** 13.5 CU. FT. (0,38 CU. M.)  
 \*WEIGHTS DO NOT INCLUDE OPTIONAL FLANGE KITS.



### OPTIONAL SUCTION & DISCHARGE FLANGES SHOWN IN PHANTOM

DIMENSIONS:  
 INCHES  
 (MILLIMETERS)



**60 HERTZ PERFORMANCE BASED ON WATER**



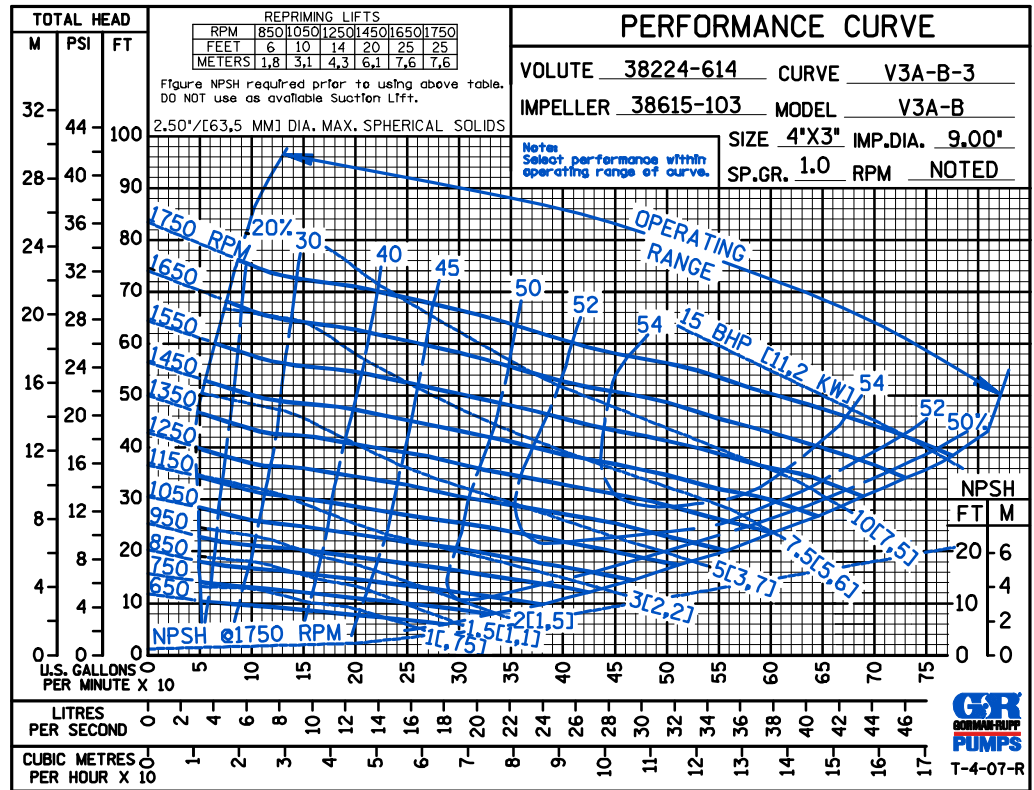
## GORMAN-RUPP PUMPS

www.grpumps.com

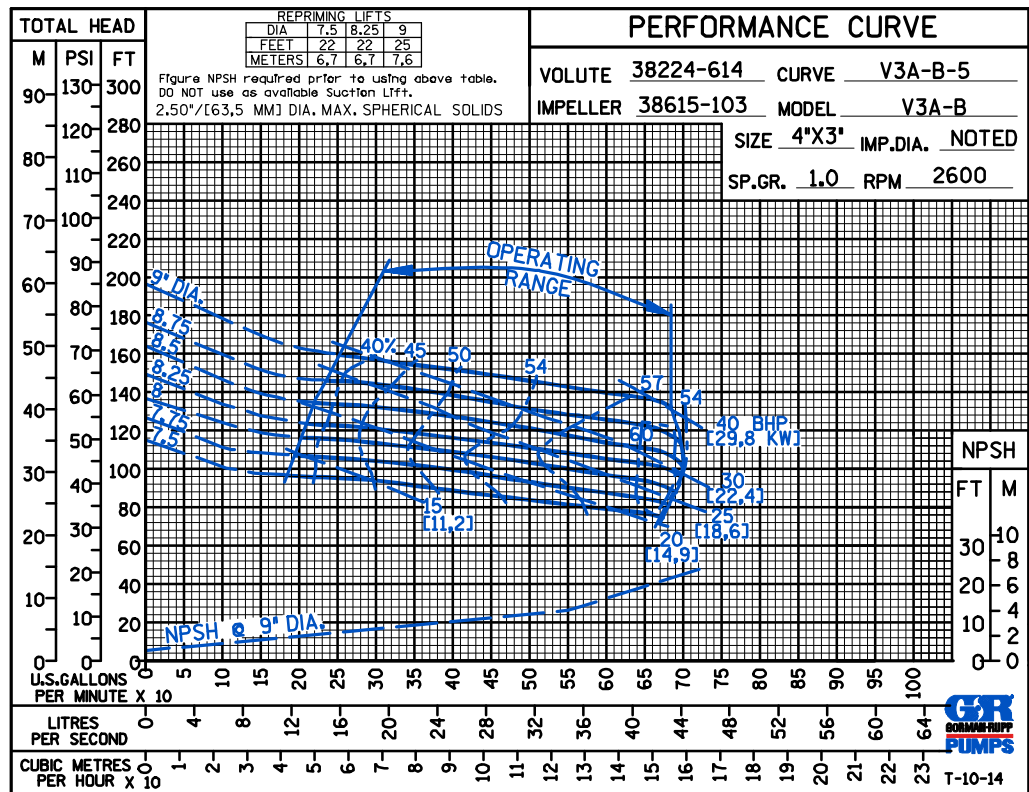
Specifications Subject to Change Without Notice

Printed in U.S.A.

60 HERTZ  
PERFORMANCE  
BASED ON  
WATER



60 HERTZ  
PERFORMANCE  
BASED ON  
WATER  
  
TRIMMED  
IMPELLER

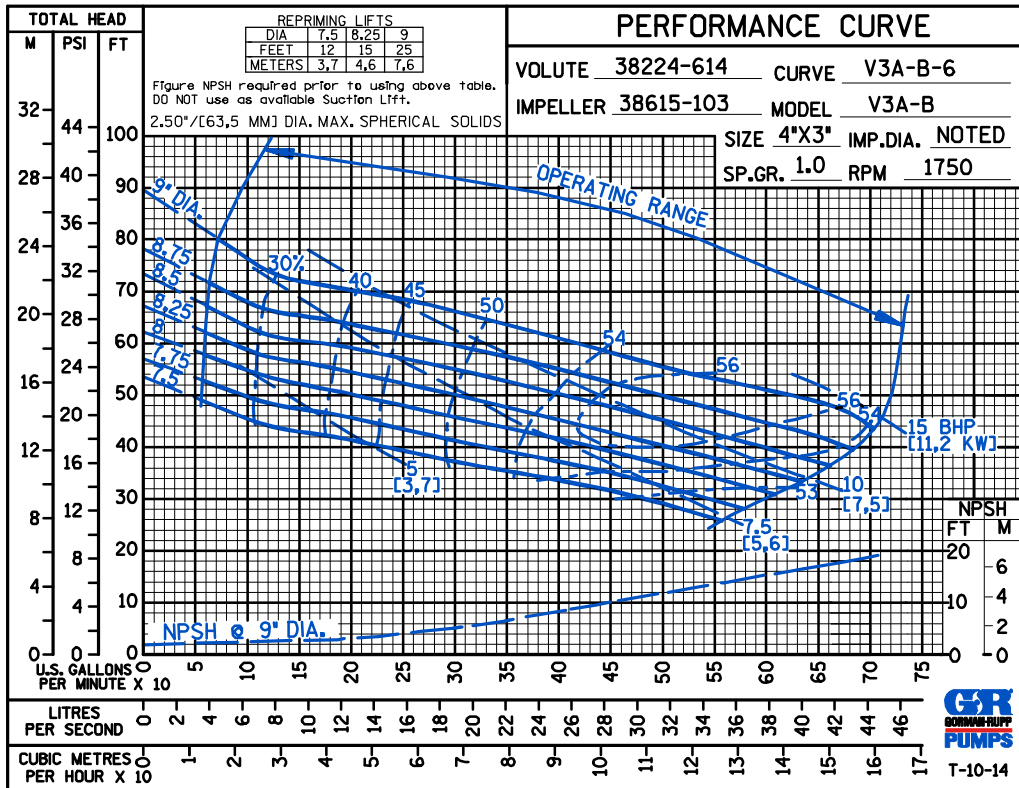


GORMAN-RUPP PUMPS

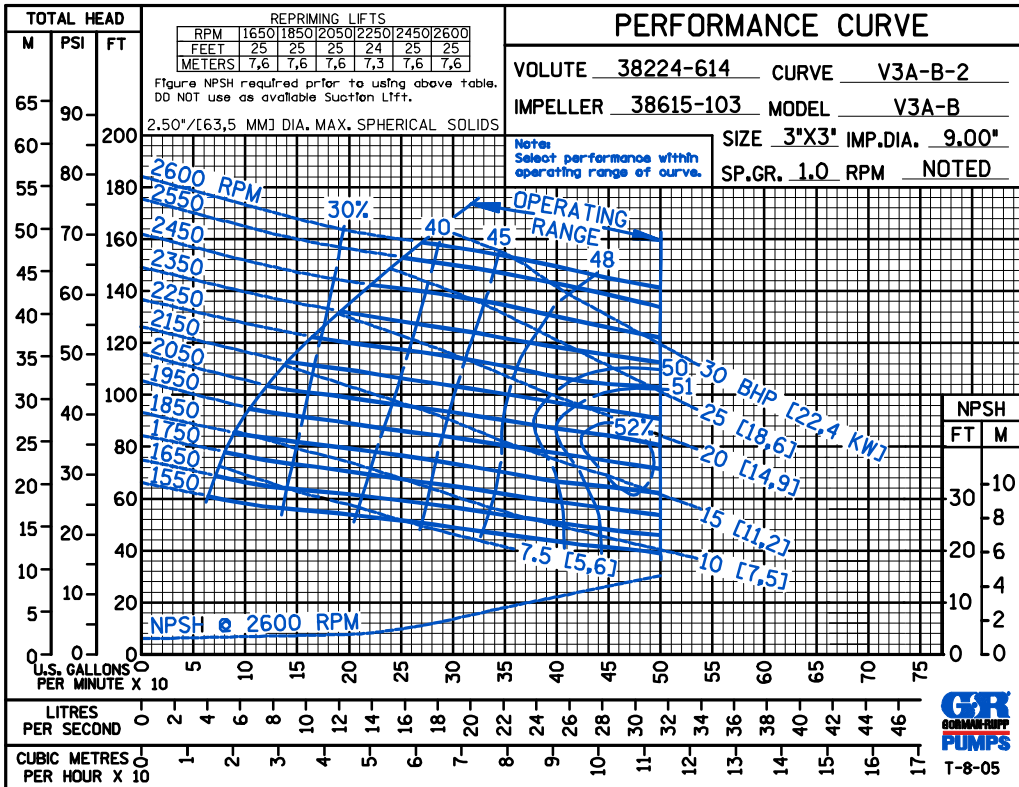
www.grpumps.com

Specifications Subject to Change Without Notice

Printed in U.S.A.



60 HERTZ  
PERFORMANCE  
BASED ON  
WATER  
TRIMMED  
IMPELLER



60 HERTZ  
PERFORMANCE  
FOR REDUCED  
SUCTION  
BASED ON  
WATER



GORMAN-RUPP PUMPS

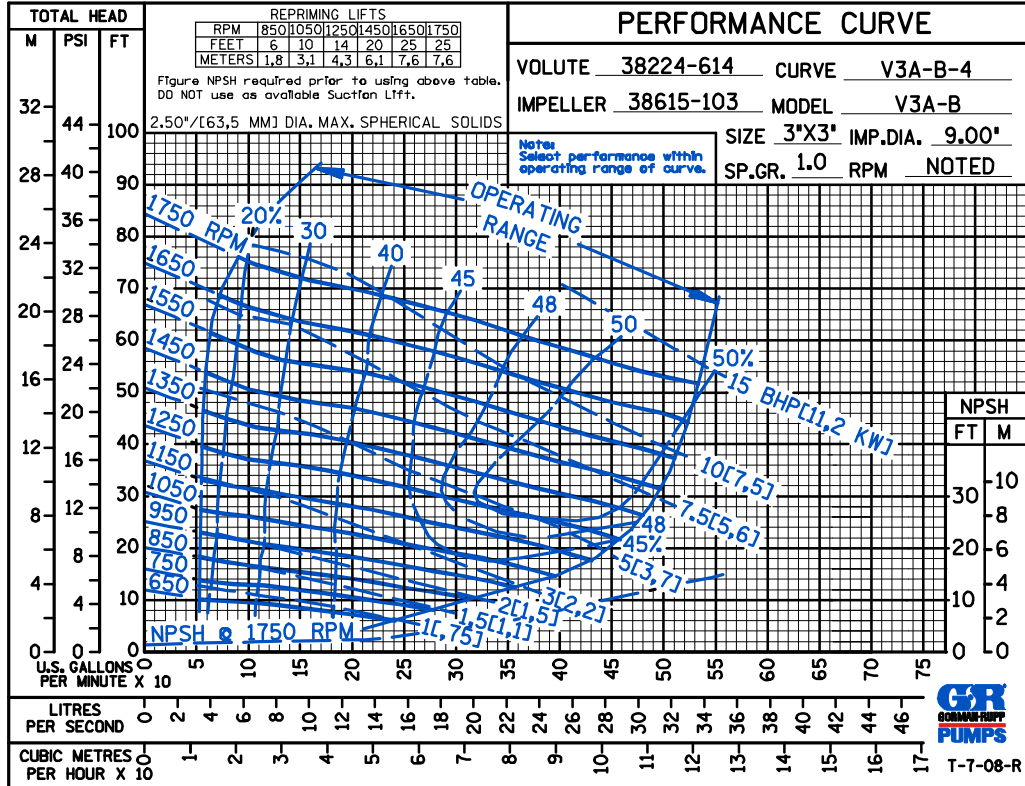
www.grpumps.com

Specifications Subject to Change Without Notice

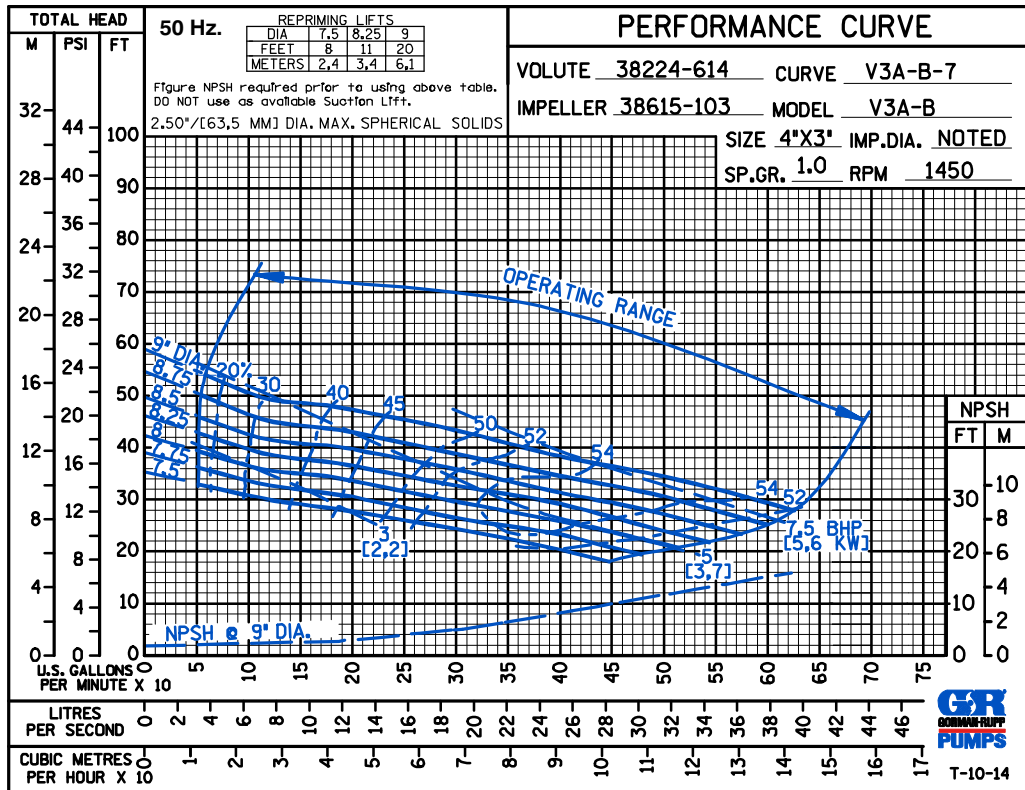
Printed in U.S.A.



60 HERTZ  
PERFORMANCE  
FOR REDUCED  
SUCTION  
BASED ON  
WATER



50 HERTZ  
PERFORMANCE  
BASED ON  
WATER  
  
TRIMMED  
IMPELLER



GORMAN-RUPP PUMPS

www.grpumps.com

Specifications Subject to Change Without Notice

Printed in U.S.A.