

## Basic Pedestal

## Self Priming Centrifugal Pump



## Models 82H3-B and 82H52-B

## Size 2" x 2"

## PUMP SPECIFICATIONS

**Size:** 2" x 2" (51 mm x 51 mm) NPT - Female.

**Casing:** Gray Iron 30.

Maximum Operating Pressure 146 psi (1007 kPa)\*.

**Semi-Open Type, Four Vane Impeller:** Gray Iron 30.

Handles 3/4" (19,1 mm) Diameter Spherical Solids.

**Impeller Shaft:** Carbon Steel 1045/1046.

**Shaft Sleeve:** Alloy Steel 4130.

**Replaceable Wear Plate:** Carbon Steel ASTM A36.

**Pedestal:** Gray Iron 30.

**Seal Plate:** Gray Iron 30.

**Flap Valve:** Buna-N w/Nylon Reinforcement,  
Gray Iron 30 and Steel.

**Radial and Thrust Bearings:** Open Single Row Ball.

**Bearing Lubrication:** SAE 30 Non-Detergent Oil.

**Flange:** Gray Iron 30.

**Gaskets:** Cork.

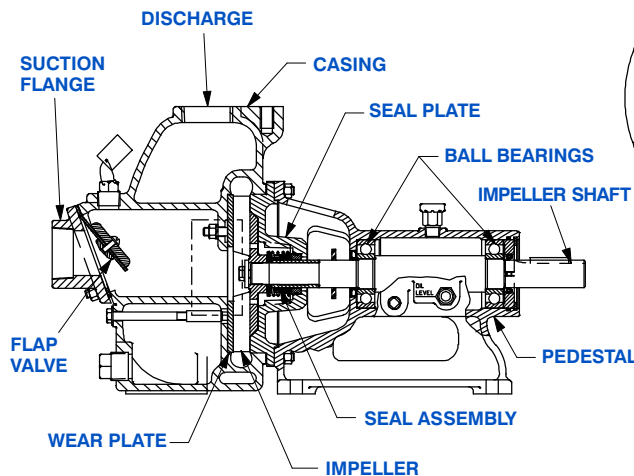
**Hardware:** Standard Plated Steel.

**Oil Level Sight Gauge.**

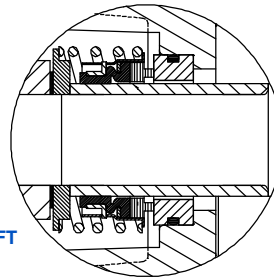
**Optional Equipment:**

Strainer. 90° Street Elbow. Discharge Service Tee. Suction and Discharge Companion Flanges. 120/240 Volt Casing Heater. Consult Factory for Additional Options.

*\*Consult Factory for Applications Exceeding Maximum Pressure and/or Temperature Indicated.*

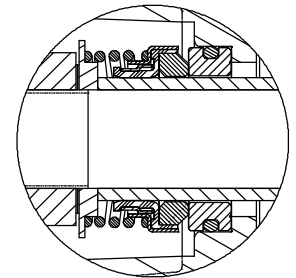


82H3-B SHOWN



**82H3-B SEAL DETAIL** Type 2, Mechanical, Self-Lubricated. Carbon Rotating Face. Ni-Resist Stationary Face. Fluorocarbon Elastomers. (DuPont Viton® or Equivalent). Stainless Steel 18-8 Cage and Spring. Maximum Temperature of Liquid Pumped 160°F (71 °C).\*

**82H52-B SEAL DETAIL** Type 31, Mechanical, Self-Lubricated. Silicon Carbide Rotating and Stationary Faces. Fluorocarbon Elastomers (DuPont Viton® or Equivalent). Stainless Steel 18-8 Cage and Spring. Maximum Temperature of Liquid Pumped 160°F (71 °C).\*



GORMAN-RUPP PUMPS

www.grpumps.com

Specifications Subject to Change Without Notice

Printed in U.S.A.

**Specification Data**

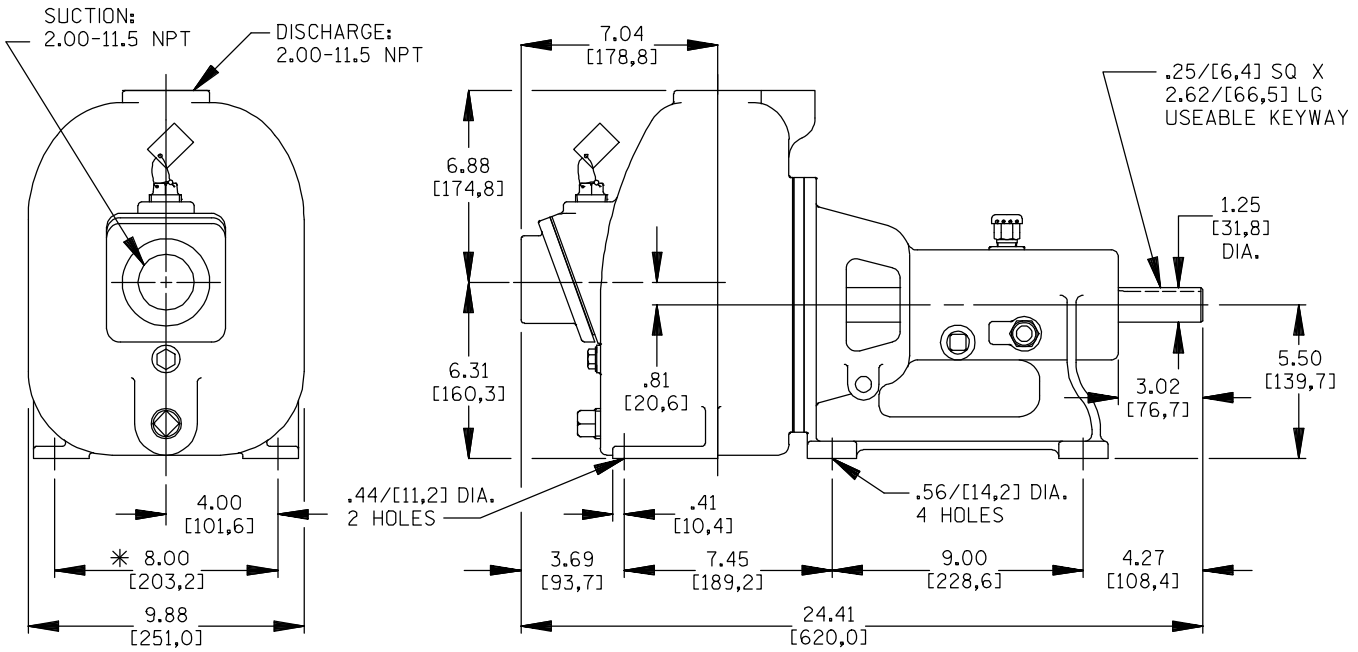
SECTION 50, PAGE 1301

APPROXIMATE DIMENSIONS and WEIGHTS

NET WEIGHT: 120 LBS. (54,4 KG.)

SHIPPING WEIGHT: 130 LBS. (58,9 KG.)

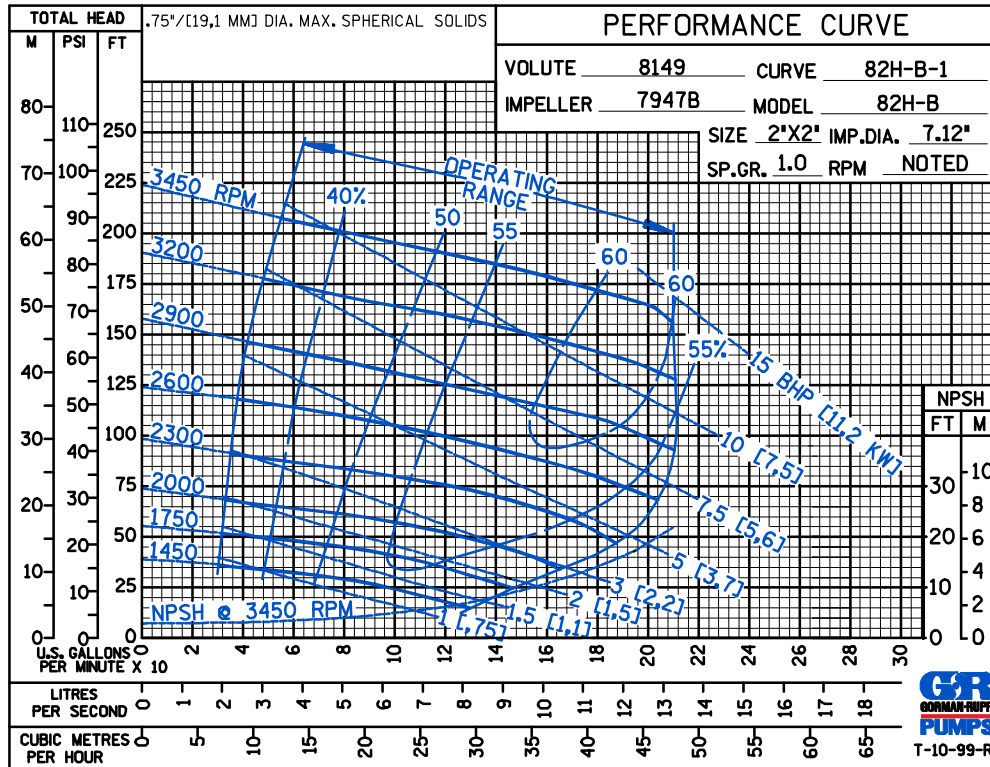
EXPORT CRATE: 12.5 CU. FT. (0,35 CU. M.)



DIMENSIONS:  
INCHES  
[MILLIMETERS]

\* 8.00/[203,2] DISTANCE BETWEEN MOUNTING HOLES APPLIES TO VOLUTE AND PEDESTAL

**MULTI-SPEED CURVE PERFORMANCE BASED ON WATER**



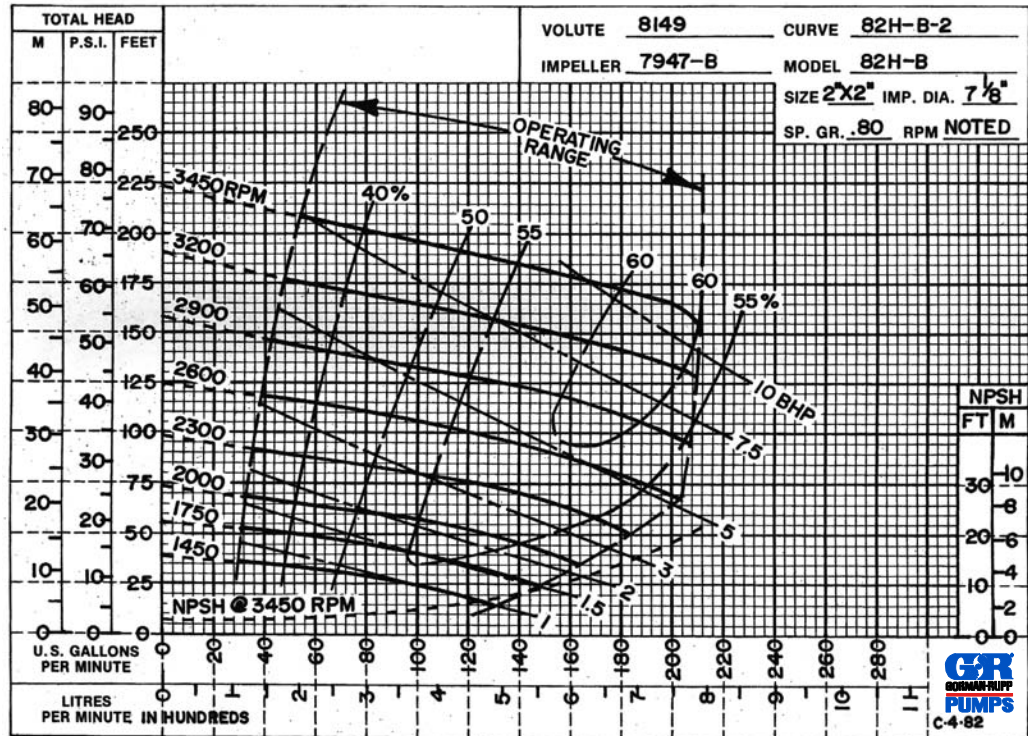
**GORMAN-RUPP PUMPS**

www.grpumps.com

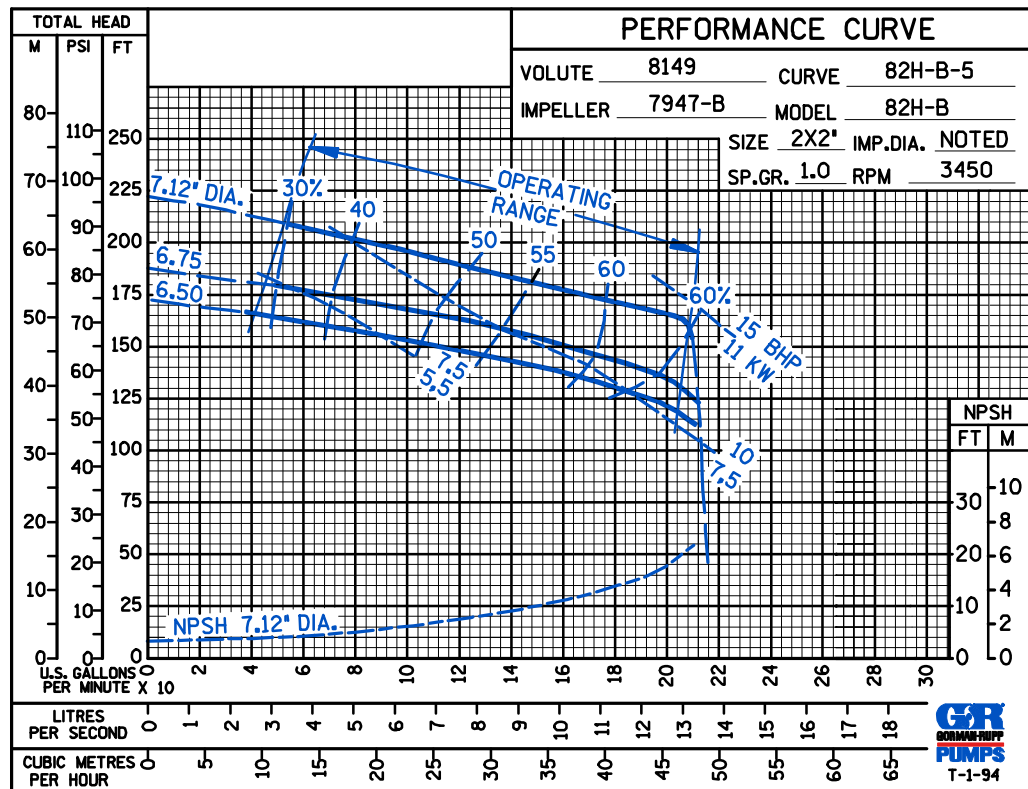
Specifications Subject to Change Without Notice

Printed in U.S.A.

**MULTI-SPEED  
CURVE  
PERFORMANCE  
BASED ON  
PETROLEUM**



**60 HERTZ  
PERFORMANCE  
BASED ON  
WATER  
TRIMMED  
IMPELLER**



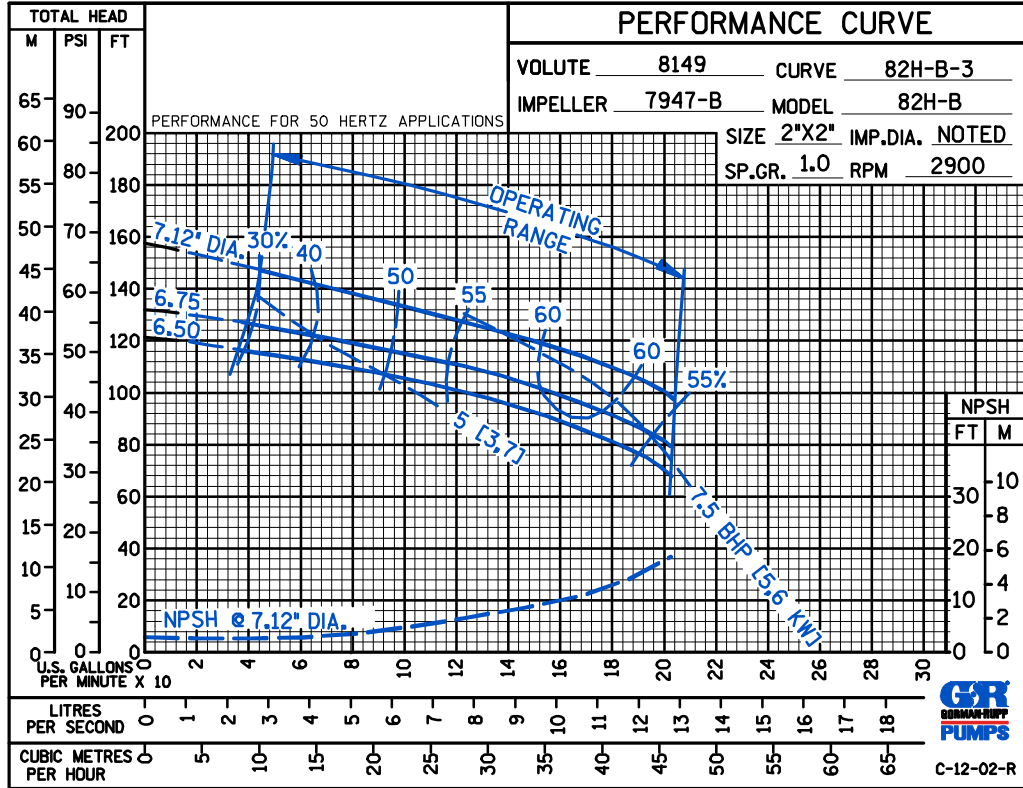
**GORMAN-RUPP PUMPS**

www.grpumps.com

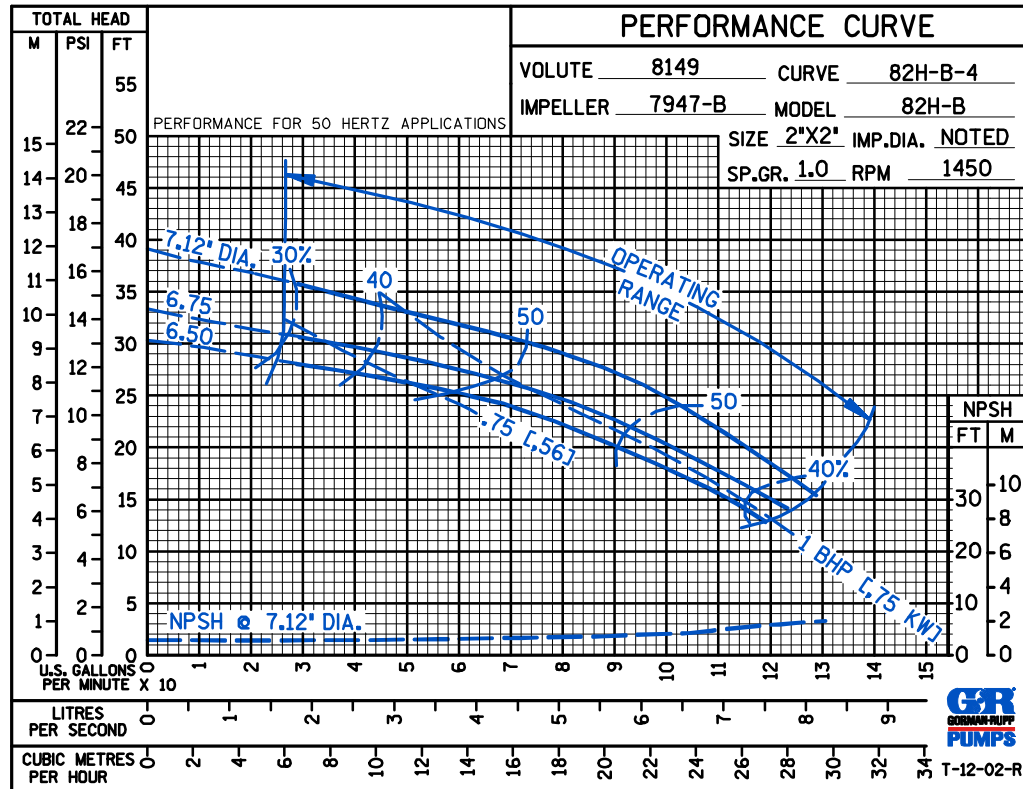
Specifications Subject to Change Without Notice

Printed in U.S.A.

50 HERTZ  
PERFORMANCE  
BASED ON  
WATER  
TRIMMED  
IMPELLER



50 HERTZ  
PERFORMANCE  
BASED ON  
WATER  
TRIMMED  
IMPELLER



GORMAN-RUPP PUMPS

www.grpumps.com

Specifications Subject to Change Without Notice

Printed in U.S.A.